

CFORCE 1000 CFORCE 800XC

OWNER'S MANUAL

READ THIS MANUAL CAREFULLY

It contains important safety information

This ATV should not be ridden by anyone under 16 years of age. Passenger under 12 are prohibited.



TABLE OF CONTENTS

| | |
|---|-----------|
| Foreword | 1 |
| Welcome | 1 |
| EVAP System (Evaporative Emission Control System) | 2 |
| Catalytic Converter..... | 2 |
| Signal Words..... | 3 |
| Introduction | 8 |
| Vehicle Identification Numbers / Keys..... | 9 |
| Specifications | 10 |
| Operator Safety | 16 |
| Age Restrictions | 16 |
| Know Your Vehicle | 16 |
| Equipment Modifications | 17 |
| Safety Training | 20 |
| Safe Riding Gear..... | 43 |
| Safety Decals and Locations - 2 person ATVs | 46 |
| Safety Decals and Locations - 1 person ATV | 50 |
| Features & Controls | 54 |
| Left Hand Controls | 54 |
| Right Hand Controls..... | 57 |

| | |
|--|------------|
| Foot Brake..... | 62 |
| Fuel Tank..... | 64 |
| Transmission Gear Selector..... | 66 |
| CVT System..... | 68 |
| How To Avoid CVT Drive Belt and Component Failure..... | 69 |
| Vehicle Features..... | 71 |
| Winch Operation..... | 76 |
| Dashboard Indicators and Operation..... | 87 |
| Operation of your ATV..... | 92 |
| Break-In Period..... | 92 |
| Pre-Ride Inspection..... | 94 |
| Starting the Engine..... | 94 |
| Gear Selector Operation..... | 96 |
| Hauling and Towing Cargo..... | 99 |
| Driving Safely..... | 102 |
| Maintenance..... | 119 |
| Severe Use Definition..... | 119 |
| Periodic Maintenance Schedule / Icon Key..... | 120 |
| Pre-Ride Maintenance Checklist..... | 122 |
| Break-In Maintenance Checklist..... | 124 |
| Periodic Maintenance Schedule..... | 126 |
| Maintenance Procedures..... | 133 |

| | |
|--|------------|
| Cleaning & Storage | 171 |
| Transporting the Vehicle..... | 176 |
| Vehicle Issue Diagnosis..... | 177 |
| Engine Starter Doesn't Turn On | 177 |
| Engine Pings or Knocks | 177 |
| Engine Stops or loses power | 178 |
| Engine Turns Over, Fails to Start | 178 |
| Engine Backfires | 179 |
| Engine Runs Irregularly, Stalls or Misfires..... | 179 |
| Engine Stops or Loses Power..... | 181 |
| EFI Malfunction Indicator Light..... | 182 |
| EPS Malfunction Indicator Light..... | 183 |
| CFMOTO Limited Warranty..... | 185 |
| WARRANTY TERMS & CONDITIONS | 185 |
| CALIFORNIA EVAPORATIVE EMISSIONS CONTROL WARRANTY STATEMENT .. | 191 |
| U.S.A. EPA and CARB Emissions Control Limited Warranty | 193 |
| Noise Control System and Tampering..... | 196 |
| Change of Ownership | 197 |
| Telematics Box | 198 |

FOREWORD

Foreword

Welcome

Thank you for purchasing a CFMOTO vehicle, and welcome to our world-wide family of CFMOTO enthusiasts. Be sure to visit us online at www.cfmoto.com for the latest news, new product introductions, upcoming events, and more.

CFMOTO is an international company that specializes in the development, manufacture, and marketing of all-terrain vehicles, utility vehicles, large displacement motorcycles, and their core components. Founded in 1989, CFMOTO is devoted to the development of independent brand cultivation and R&D innovation. CFMOTO products are currently distributed through more than 2000 companions worldwide in more than 100 countries and regions. CFMOTO is edging into the advanced ranks in the world of powersports, and aims to supply superior products to dealers and fans globally.

For safe and enjoyable operation of your vehicle, be sure to follow the instructions and recommendations in this owner's manual. Your manual contains instructions for minor maintenance. Information about major repairs is outlined in the CFMOTO Service Manual. Your CFMOTO dealer knows your vehicle best and is interested in your total satisfaction. Be sure to return to your dealership for all of your service needs during, and after, the warranty period.

Due to constant improvements in the design, quality, or configuration of production components, some minor discrepancies may result between the actual vehicle and the information presented in this manual. CFMOTO reserves the right to change features, specifications and components without notice or incurring obligation to the purchaser. Depictions and/or procedures within are intended for reference use only. The most current version of this manual may be available on CFMOTO consumer website of the market you reside in.

This manual applies to the following models: CF800AU-2A, CF800AZ-2A, CT800AZ-2A, CF1000AU, CT1000AZ, CF1000AU OVERLAND, CT1000AZ OVERLAND.

FOREWORD

WARNING

The engine exhaust from this product contains chemicals known to the State of California to cause cancer, birth defects or other reproductive harm.

EVAP System (Evaporative Emission Control System)

(If equipped)

When required by environmental emissions regulations, this vehicle is manufactured with a fuel evaporation system (EVAP) to prevent fuel vapors entering the atmosphere from the fuel tank and fuel system.

During routine maintenance, visually inspect all hose connections for leaks or blockage. Ensure the hoses are not clogged or kinked, which could damage the fuel pump or distort the fuel tank. No other maintenance is necessary.

Contact your dealer if repair is required. Do not modify the EVAP system. Modifying any part of this system will violate environmental emissions regulations.

Catalytic Converter

CAUTION: Please pay attention to the following to protect your catalytic converter:

- Use only unleaded gasoline. Even gasoline that contains a little lead could damage the reactive metals contained in the catalytic converter and disable it.
- Never add rust preventive oil or engine oil into the muffler. Doing so could damage the catalytic converter.

NOTE:

Some features described within this manual may not apply to models sold in North America.

All descriptions and directions given are from the operator's perspective when properly seated.

FOREWORD

Signal Words

A signal word calls attention to a safety message or messages, a property damage message or messages, and designates a degree or level of hazard seriousness. The standard signal words in this manual are WARNING, CAUTION and NOTE: or NOTICE.

The following signal words and symbols appear throughout this manual and on your vehicle. Your safety is involved when these words and symbols are used. Become familiar with their meanings before reading the manual:

WARNING

This safety alert and icon indicates a potential hazard that may result in serious injury or death.

CAUTION

This safety alert and icon indicates a potential hazard that may result in minor or moderate personal injury and/or damage to the vehicle.

CAUTION

This safety alert without an icon indicates a situation that may result in damage to the vehicle.

NOTE: or NOTICE

A NOTE: or notice will alert you to important information or instructions

FOREWORD
⚠️ WARNING FOR TYPE I ATVs
(1-person vehicle)

Improper vehicle use can result in SEVERE INJURY or DEATH



**ALWAYS
USE AN
APPROVED
HELMET AND
PROTECTIVE
GEAR**



**NEVER USE
ON PUBLIC
ROADS**



**NEVER CARRY
PASSENGERS**



**NEVER
USE WITH
DRUGS OR
ALCOHOL**

FOREWORD
⚠️ WARNING FOR TYPE II ATVs
(2-person vehicle)

Improper vehicle use can result in SEVERE INJURY or DEATH



**ALWAYS
USE AN
APPROVED
HELMET AND
PROTECTIVE
GEAR FOR
DRIVER AND
PASSENGER**



**NEVER USE
ON PUBLIC
ROADS**



**NEVER
CARRY MORE
THAN ONE
PASSENGER**



**NEVER
USE WITH
DRUGS OR
ALCOHOL**

FOREWORD

NEVER:

- Operate without proper training or instruction.
- Operate on public roads. A collision can occur with another vehicle.
- Operate at speeds too fast for your skill or the conditions.
- Use ALCOHOL or DRUGS before or while driving this vehicle.
- Carry multiple passengers, Type II ATVs are designed for a single passenger only.

ALWAYS:

- Avoid paved surfaces, which may adversely affect the handling and control.
- Use proper riding techniques to avoid vehicle overturn on hills and rough terrain, and when turning.
- Wear eye protection, helmet and protective clothing.

FOREWORD
READ THE OWNER'S MANUAL
FOLLOW ALL INSTRUCTIONS AND WARNINGS

 WARNING

Read, understand, and follow all of the instructions and safety precautions in this manual and on all product labels. Failure to follow the safety precautions could result in serious injury or death.

 WARNING

The engine exhaust gas from this product contains CO, which is deadly gas and could cause headaches, giddiness, loss of consciousness, or even death. Always avoid starting the vehicle in areas with poor ventilation.

INTRODUCTION

Introduction

Thank you for purchasing a CFMOTO vehicle, and welcome to our world-wide family of CFMOTO enthusiasts.

For safe and enjoyable operation of your vehicle, be sure to follow the instructions and recommendations in this owner's manual. Information about major repairs are outlined in the CFMOTO Service Manual, and should only be performed by a CFMOTO service dealer and technician. Be sure to return to your dealership for all of your service needs during, and after, the warranty period.

If you have questions or concerns about your vehicle

All questions or concerns related to your vehicle should be directed to your local CFMOTO dealer first. Your dealer knows your vehicle best and is interested in your total satisfaction. In the event your local dealer is unable to resolve a product issue or concern, you can reach a CFMOTO customer service representative depending on the market you reside in:

For USA: Please contact CFMOTO POWERSPORTS, INC. TEL: 763-398-2690, by e-mail: info@cfmotousa.com, or online: <https://cfmotousa.com/customer-care/customer-care-contact>. Please NOTE: that customer service does not have authority to approve or deny warranty, and cannot provide technical repair data, diagnosis, or instructions.

For CANADA: Please contact CANADA MOTOR IMPORT INC. TEL: 1-418-227-2077, or online: <https://www.cfmoto.ca/en/customer-care/>.

For a safety concern related to your Canadian vehicle, you may report your concern to Transport Canada Defect Investigation and Recalls Division by mail, telephone, or online using the contact information below:

Mailing address: Transport Canada - ASFAD, 330 Sparks Street, Ottawa, ON, K1A 0N5

TEL: 819-994-3328 (Ottawa-Gatineau area or international) or toll-free: 1-800-333-0510 (In Canada)

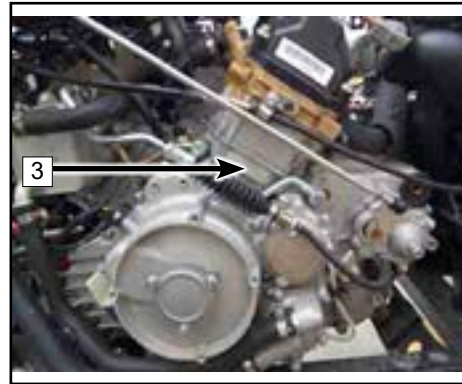
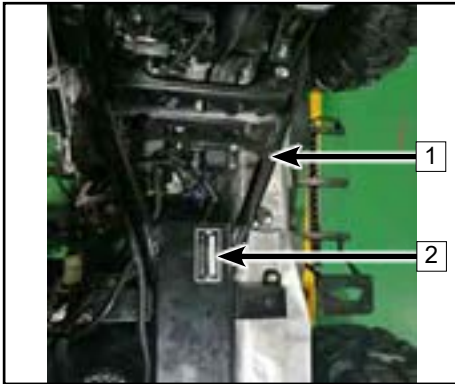
Online: <http://www.tc.gc.ca/recalls>

INTRODUCTION

Vehicle Identification Numbers / Keys

Record your vehicle's identification numbers in the spaces provided. Remove the spare key and store in a safe place. Your key can be duplicated only by mating a key blank with one of your existing keys.

If both keys are lost, the complete key switch assembly must be replaced.



1 Vehicle identification number: _____

2 Vehicle model number: _____

3 Engine serial number: _____

INTRODUCTION

Specifications

| Items | CFORCE 800 XC | CFORCE 1000 |
|---|--|--------------------|
| Overall Length | 90.4 in (2310mm) | |
| Overall Width | 48.8 in (1264mm) | |
| Overall Height | 55.9 in (1420mm) | |
| Wheel Base | 58.3 in (1480mm) | |
| Minimum ground clearance | 11.2 in (285mm) | |
| Min. turning radius | 148.6 in (3800mm) | |
| Basic weight:(With engine oil and full fuel in tank) | 1056 lbs (479kg) | 1080 lbs (490kg) |
| Front Rack Weight Capacity | 44 lbs (20 kg) | |
| Rear Rack Weight Capacity | 88 lbs (40 kg) | |
| Recommended Towing Capacities: Tongue Weight Trailer And Cargo Weight | 55 lbs (25 kg) 1650 lbs (748 kg) | |
| Engine model | 2V91W-A | |
| Engine type | V-twin cylinder,4-stroke,liquid-cooled,8 valves,SOHC | |
| Bore×Stroke | 91mm×61.5mm | 91mm×74mm |
| Displacement | 800mL | 962.6mL |
| Compression ratio | 10.3 :1 | 10.6 :1 |
| Starting type | Electric start | |

INTRODUCTION

| Items | Specifications |
|-------------------------|---|
| Engine oil: | |
| Type | SAE 10W-40 |
| Engine oil volume: | SAE 5W-40 / SAE 15W-40 |
| Total engine oil volume | 2.7 qt (2.6 L) |
| Oil change with filter | 2.6 qt (2.5 L) |
| Transmission oil: | |
| Type | SAE 75W/90 GL-5 |
| Periodic oil change | 0.6 qt (0.6L) |
| Rear gear case oil | |
| Type | SAE 80W/90 GL-5 |
| Volume | |
| Periodic oil change | 0.4 qt (0.4 L) |
| Front gear case oil | |
| Type | SAE 80W/90 GL-5 |
| Volume | |
| Periodic oil change | 0.24 qt (0.23 L) |
| Air filter | Paper filter element with foam pre-filter |

INTRODUCTION

| Items | | Specifications | |
|--|------------------|---|--------------|
| Fuel type | | Minimum 89 or higher octane unleaded gasoline | |
| Fuel tank capacity | | 7.4 gal (28 L) | |
| Fuel Reserve Amount At Fuel Gauge 'Flash' (Approximate) | | 1.06 gal (4.0 L) | |
| Spark plug: | | | |
| Type | | DCPR8E (NGK) | |
| Spark plug gap | | 0.8mm~ 0.9 mm | |
| Transmission | Clutch type | Dry and centrifugal automatic | |
| | Transmission | (CVT)+ Gear shift | |
| | Gear shift/order | Manually/L-H-N-R-P | |
| | CVT ratio | 2.88~0.70 | |
| | Gear ratio | Final | 1.333(20/15) |
| | | Secondary | 1.952(41/21) |
| Total | | L: 43/17 = 2.529 H:32/28 = 1.143 R: 29/13 = 2.231 | |
| Chassis | | | |
| Frame | | Steel tube | |
| Caster angle | | 9°52' | |
| Kingpin offset | | 25.5 mm | |

INTRODUCTION

| Items | Specifications | |
|--------------------|------------------------------|------------------------|
| Tire: Type | Tubeless | Tubeless |
| Size | 26×9-14 | 27×9 R14 |
| Front tire | | |
| Rear tire | 26×11-14 | 27×11 R14 |
| Wheel Bolt Pattern | 4x110mm | |
| Tire pressure: | | |
| Front tire | 65 PIS (45 kPa) | |
| Rear tire | 65 PIS (45 kPa) | |
| Brake system: | | |
| Front brake | Type | Double disc |
| | Operation | Operated by right hand |
| Operation | Type | Double disc |
| | Operation | Operated by right foot |
| Suspension: | | |
| Front suspension | Double A-arm and independent | |
| Rear suspension | Independent trailing arm | |

INTRODUCTION

| Items | Specifications |
|--|---|
| Shock absorber: Front shock absorber Rear shock absorber | Coil spring/Oil damper or Coil spring + Gas/Oil damper Coil spring/Oil damper or Coil spring + Gas/Oil |
| Wheel travel: Front wheel travel Rear wheel travel | 7.1 in (180 mm) 7.5 in (190 mm) |
| Electric system Ignition Charging | ECU A/C 600 Watt @ 5000 rpm |
| Headlight type Head light | LED 12V 7W×2 LED 12V 12W×2 |
| Front position//Day-time running light | LED 12V 3W ×2 |
| Tail light/Brake light | LED 12V/4.8W 2 12V/3W 2× × |
| Battery capacity | 12V30Ah |

INTRODUCTION

| Items | Specifications | |
|-----------|-----------------------------|--------------------------------|
| Dashboard | "N" indicator light | Green/ LED |
| | "R" indicator | LCD |
| | "P" indicator | LCD |
| | "H" indicator | LCD |
| | "L" indicator | LCD |
| | Dashboard light | LCD |
| | Turn indicator light | Green/ LED/(Reserved function) |
| | Hi-beam indicator light | Blue/ LED |
| | Overriding indicator light | Red/ LED |
| | 2WD/4WD indicator | LCD |
| | Water temp. indicator | LCD |
| | Fuel indicator | LCD |
| | EFI trouble indicator light | LED |

OPERATOR SAFETY

Operator Safety

| |
|--|
|  WARNING |
|--|

Failure to heed the warnings contained in this manual can result in serious injury or death. An ATV is not a toy and can be hazardous to operate. This vehicle handles differently from other vehicles, such as motorcycles and cars. A collision or rollover can occur quickly, even during routine maneuvers like turning or driving over obstacles, if you fail to take proper precautions.

Read this owner's manual. Understand all safety warnings, precautions and operating procedures before operating this vehicle.

A packet containing important ATV safety information should be present with the owner's manual. If you cannot locate this packet, or if it has been removed, please contact your dealer.

Age Restrictions

This vehicle is an ADULT VEHICLE ONLY. Operation is prohibited for anyone under the age of 16. No passengers under age 12 are allowed on CFMOTO vehicles designed to carry a passenger.

Know Your Vehicle

As the operator of the vehicle, you are responsible for your personal safety, the safety of others, and the protection of our environment. Read and understand your owner's manual, which includes valuable information about all aspects of your vehicle, including safe operating procedures.

OPERATOR SAFETY

Equipment Modifications

CFMOTO is concerned with the safety of our customers and for the general public. Therefore, we strongly recommend that consumers do not install on a vehicle, any equipment that may increase the speed or power of the vehicle, or make any other modifications to the vehicle for these purposes. Any modifications to the original equipment of the vehicle create a substantial safety hazard and increase the risk of body injury. The warranty on your vehicle is terminated if any unapproved accessory equipment has been added to the vehicle, or if any modifications have been made to the vehicle that increase its speed or power.

NOTE:

The addition of certain accessory equipment which may change the handling and performance characteristics of the vehicle include, but are not limited to; mowers, plow blades, oversize tires, sprayers, large racks, lift kits and trailers. Use only approved accessories, and familiarize yourself with their function and effect on the vehicle.

Avoid Carbon Monoxide Poisoning

The engine exhaust from this product contains chemicals known to cause cancer, birth defects or other reproductive harm. All engine exhaust contains carbon monoxide, a deadly gas. Breathing carbon monoxide can cause headaches, dizziness, drowsiness, nausea, confusion and eventually death.

Carbon monoxide is a colorless, odorless, tasteless gas that may be present even if you do not see or smell any engine exhaust. Deadly levels of carbon monoxide can collect rapidly, and you can quickly be overcome and unable to save yourself. Also, deadly levels of carbon monoxide can linger for hours or days in enclosed or poorly ventilated areas.

To prevent serious injury or death from carbon monoxide:

- Never run the vehicle in poorly ventilated or partially enclosed areas.
- Never run the vehicle outdoor where engine exhaust can be drawn into a building through openings such as windows and doors.

OPERATOR SAFETY

Avoid Gasoline Fires and Other Hazards

Gasoline is extremely flammable and highly explosive. Fuel vapors can spread and be ignited by a spark or flame many feet away from the engine. To reduce the risk of fire or explosion, follow these instructions:

- Use only an approved gasoline container to store fuel.
- Never fill the gasoline container in the vehicle cargo box or on the vehicle. An electrical static discharge may ignite the fuel.
- Strictly adhere to proper fueling procedures.
- Never start or operate the engine if the fuel cap is not properly installed. Gasoline is poisonous and can cause injury or death.
- Never siphon gasoline by mouth.
- If you swallow gasoline, get any in your eye(s), or inhale gasoline vapor, see a doctor immediately.
- If gasoline spills on you, wash with soap and water and change your clothes.

Fuel Minimum Octane Rating and Safety Warnings

The recommended fuel for your vehicle is 89 Octane minimum, premium or mid-grade fuel (a maximum blend of 10% ethanol is allowed). Non-oxygenated (ethanol-free) fuel is recommended for best performance in all conditions.

OPERATOR SAFETY

WARNING

Gasoline is highly flammable and explosive under certain conditions.

Allow the engine and exhaust system to cool before filling the tank.

Always exercise extreme caution whenever handling gasoline.

Always refuel with the engine stopped, and outdoors or in a well ventilated area.

Never carry a plastic container with gasoline in the cargo area while riding. Static electricity between the cargo area and container could cause a spark.

Do not smoke or allow open flames or sparks in or near the area where refueling is performed, or where gasoline is stored.

Do not overfill the tank. Do not fill to the tank neck.

If gasoline spills on your skin or clothing, immediately wash it off with soap and water and change clothing.

Never start the engine or let it run in an enclosed area. Engine exhaust fumes are poisonous and can cause loss of consciousness or death in a short time.

The engine exhaust from this product contains chemicals known to cause cancer, birth defects or other reproductive harm. Operate this vehicle only outdoors or in well-ventilated areas.

Avoid Burns from Hot Parts

The exhaust system and engine become hot during operation. Avoid contact during and shortly after operation to avoid burns.

Inspection after an Accident

After any overturn or accident, have an authorized dealer inspect the entire vehicle for possible damage. The damage to the vehicle during an accident may be more serious than you think.

OPERATOR SAFETY

Safety Training

When you purchased your new ATV, your dealer offered a hands-on safety training course that covers all aspects of vehicle safety. You were also provided with printed materials that explain safe operating procedures. You should review this information on a regular basis. If you purchased a used ATV from a party other than a dealer, you can request safety training from any authorized dealer.

Familiarize yourself with all laws and regulations concerning the operation of this vehicle in your area. CFMOTO strongly advises you to strictly follow the recommended maintenance program outlined in your owner's manual. This preventive maintenance program is designed to ensure that all critical components on your vehicle are thoroughly inspected at specific intervals.

Hazardous Operation Warnings

Serious injury or death can result if you do not follow the following instructions and procedures outlined in further detail within your owner's manual:

| |
|--|
|  WARNING |
|--|

Read this manual and all labels carefully, and follow the operating procedures described.

- Never operate an ATV without proper instruction. Take a training course. Beginners should receive training from a certified instructor. Contact an authorized dealer to find out about the training courses nearest you.
- Never allow anyone under 16 years of age to operate the vehicle.
- Never permit a guest to operate the ATV unless the guest has read this manual, all product labels, and has completed a certified safety training course.

OPERATOR SAFETY

- Never operate an ATV without wearing an approved helmet that fits properly . Always wear eye protection (goggles or face shield), gloves, boots, a long-sleeved shirt or jacket, and long pants.
- Never consume alcohol or drugs before or while operating an ATV.
- Never operate at excessive speeds. Travel at speeds appropriate for the terrain, visibility and operating conditions, and your experience.
- Never attempt wheelies, jumps or other stunts.
- Always inspect your ATV before each use to make sure it's in safe operating condition.
- Always follow the inspection and maintenance procedures and schedules outlined in your owner's manual.
- Always keep both hands on the handlebars and both feet on the footrest of the ATV during operation.
- Always travel slowly and use extra caution when operating on unfamiliar terrain. Be alert .to terrain conditions.
- Never operate on excessively rough, slippery, or loose terrain.
- Always follow proper turning procedures as described in this manual. Practice turning at low speeds before attempting to turn at faster speeds. Do not turn at excessive speeds.
- Always have the ATV inspected by an authorized dealer if it's been involved in an accident.
- Never operate on hills too steep for the ATV or for your abilities. Practice on smaller hills before attempting larger hills.
- Always follow proper procedures for climbing hills:
 - Check the terrain carefully before ascending a hill.
 - Never climb hills with excessively slippery or loose surface. Shift your weight forward.
 - Never open the throttle suddenly or make sudden gear changes.

OPERATOR SAFETY

- Never go over the top of a hill at high speed.
- Always follow proper procedures for going downhill and for braking on hills:
 - Check the terrain carefully before you start down a hill.
 - Shift your weight backward.
 - Never travel down a hill at high speed.
 - Avoid travel down a hill at an angle, which would cause the vehicle to lean sharply to one side.
 - Travel straight down the hill when possible.
- Always follow proper procedures for crossing the side of a hill:
 - Avoid hills with excessively slippery or loose surfaces.
 - Shift your weight to the uphill side of the ATV.
 - Never attempt to turn the ATV around on any hill until you have mastered (on level ground) the turning technique outlined in this manual.
 - Avoid crossing the side of a steep hill when possible.
- Always use proper procedures if you stall or roll backwards while climbing a hill:
 - To avoid stalling, maintain a steady speed when climbing a hill.
 - If you stall or roll backwards, follow the special procedure for braking described in this manual.
 - Always dismount on the uphill side, or to either side if the ATV is pointed straight uphill.
 - Turn the ATV around and remount following the procedure described in this manual.
- Always check for obstacles before operating in a new area. Never attempt to operate over large obstacles, such as rocks or fallen trees. Always follow proper procedures when operating over obstacles as described in this manual.

OPERATOR SAFETY

- Always be careful of skidding or sliding. On slippery surfaces like ice, travel slowly and use extra caution to reduce the chance of skidding or sliding out of control.
- Avoid operating the ATV through deep or fast-flowing water. If it's unavoidable, travel slowly, balance your weight carefully, avoid sudden movements, and maintain a slow and steady forward motion. Do not make sudden turns or stops, and do not make sudden throttle changes.
- Wet brakes may have reduced stopping ability. Test your brakes after leaving water. If necessary, apply them lightly several times to allow friction to dry out the pads.
- Always check for obstacles or people behind the ATV before operating in reverse. When it's safe to proceed in reverse, move slowly and avoid turning at sharp angles.
- Always use the size and type of tires specified for your ATV, and always maintain proper tire pressure.
- Never modify an ATV through improper installation or use of accessories.
- Never exceed the stated load capacity for your ATV. Cargo must be properly distributed and securely attached. Reduce speed and follow the instructions in this manual for carrying cargo or towing. Allow a greater distance for braking.
- Always remove the ignition key when the vehicle is not in use to prevent unauthorized use or accidental starting.
- Children or pets shall not be carried on the racks.
- Never touch moving parts such as wheels, drive shafts, etc.

FOR MORE INFORMATION ABOUT ATV SAFETY, PLEASE CONTACT YOUR DEALER.

OPERATOR SAFETY

WARNING

POTENTIAL HAZARD:

Operating this ATV without proper instruction.

WHAT CAN HAPPEN:

The risk of an accident is greatly increased if the operator does not know how to operate the ATV properly in different situations and on different types of terrain.

HOW TO AVOID THE HAZARD:

Beginning and inexperienced operators should complete a certified training course offered by a dealer.

Operators should regularly practice the skills learned in the course and the operating techniques described in the owner's manual.

WARNING

POTENTIAL HAZARD:

Failure to follow the age recommendations for this ATV.

WHAT CAN HAPPEN:

Severe injury and/or death could occur if a child under the minimum age recommendation operates an ATV. Even though a child may be within the recommended age group for operating some ATVs, he/she may not have the skills, abilities or judgment needed to operate an ATV safely and could be susceptible to accident or injury.

HOW TO AVOID THE HAZARD:

Operation is prohibited for anyone under 16 years of age.

OPERATOR SAFETY

WARNING

POTENTIAL HAZARD:

Carrying a passenger on an ATV that is not designed for carrying a passenger, or carrying more passengers than the rated passenger capacity.

WHAT CAN HAPPEN:

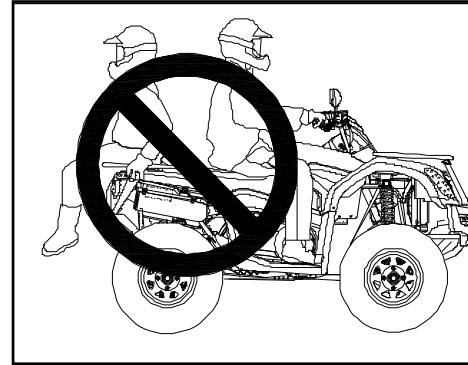
A passenger riding on an ATV not designed for carrying a passenger could be ejected from the vehicle unexpectedly or make contact with moving components, both of which can result in severe injury or death.

A passenger not seated behind the operator on an ATV could be ejected from the vehicle unexpectedly or make contact with moving components, both of which can result in severe injury or death.

Carrying more passengers than the rated passenger capacity will greatly reduce the operator's ability to balance and control the ATV.

HOW TO AVOID THE HAZARD:

Never allow a passenger on an ATV that is not designed for carrying a passenger, or carry more passengers than the rated passenger capacity.



OPERATOR SAFETY

⚠️ WARNING

POTENTIAL HAZARD:

Operation on paved surfaces such as sidewalks, trails parking lots, or public highways and streets.

WHAT CAN HAPPEN:

ATV tires are designed for off-road use. Driving on paved surfaces greatly affects how an ATV handles, which can result in loss of control and/or an accident.

HOW TO AVOID THE HAZARD:

Never drive on paved surfaces. If it is unavoidable, slow down and do not make sudden turning or braking maneuvers.

Never operate ATVs on public highways or streets if it is not allowed by law. Check local laws to determine if it is legal to do so..



OPERATOR SAFETY

WARNING

POTENTIAL HAZARD:

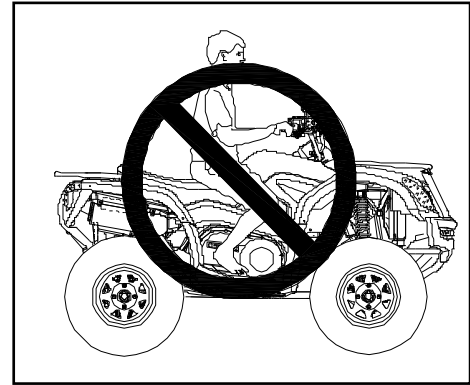
Operating this ATV without wearing an approved helmet, eye protection, and protective clothing.

WHAT CAN HAPPEN:

Operating an ATV without an approved helmet increases the risk of a severe head injury or death in the event of an accident. Operating without eye protection could result in an accident and could increase the chance of a severe eye injury in the event of an accident. Operating without protective clothing could increase the chance of a severe injury.

HOW TO AVOID THE HAZARD:

Always wear an approved helmet that fits properly. Always wear eye protection (goggles or face shield), gloves, long-sleeved shirt or jacket, and long pants.



OPERATOR SAFETY

⚠️WARNING

POTENTIAL HAZARD:

Operating the ATV after consuming alcohol or drugs.

WHAT CAN HAPPEN:

Consumption of alcohol and/or drugs could seriously affect operator judgment. Reaction time may be slower and operator balance and perception could be affected. Consumption of alcohol and/or drugs before or while operating an ATV could result in an accident causing severe injury or death.

HOW TO AVOID THE HAZARD:

Never consume alcohol or drugs before or while operating an ATV.



OPERATOR SAFETY

⚠️ WARNING

POTENTIAL HAZARD:

Operating the ATV at excessive speeds.

WHAT CAN HAPPEN:

Excessive speed increases the operator's chance of losing control of the ATV, which can result in an accident.

HOW TO AVOID THE HAZARD:

Always operate the ATV at a speed that's proper for the terrain, visibility and operating conditions, and your experience.

⚠️ WARNING

POTENTIAL HAZARD:

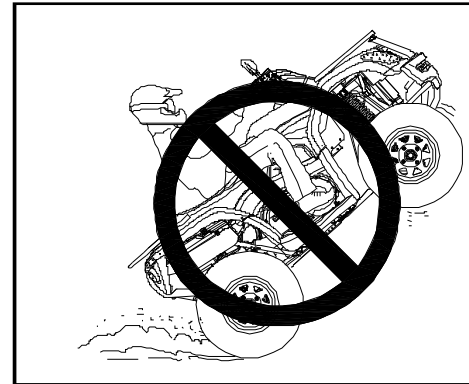
Attempting wheelies, jumps and other stunts.

WHAT CAN HAPPEN:

Attempting stunts increases the chance of an accident, including an overturn.

HOW TO AVOID THE HAZARD:

Never attempt wheelies, jumps, or other stunts. Avoid exhibition driving.



OPERATOR SAFETY

WARNING

POTENTIAL HAZARD:

Failure to inspect the ATV before operating. Failure to properly maintain the ATV.

WHAT CAN HAPPEN:

Poor maintenance increases the possibility of an accident or equipment damage.

HOW TO AVOID THE HAZARD:

Always inspect your ATV before each use to make sure it's in safe operating condition.

Always follow the inspection and maintenance procedures and schedules described in the owner's manual.

WARNING

POTENTIAL HAZARD:

Removing hands from the handlebars or feet from the footrests during operation.

WHAT CAN HAPPEN:

Removing even one hand or foot can reduce ability to control the vehicle or could cause loss of balance and ejection from the ATV.

If the operator's foot is not firmly planted on the footrest, it could come into contact with the rear wheels and lead to an accident or injury.

HOW TO AVOID THE HAZARD:

Always keep both hands on the handlebars and both feet on the footrests of the ATV during operation.

OPERATOR SAFETY

WARNING

POTENTIAL HAZARD:

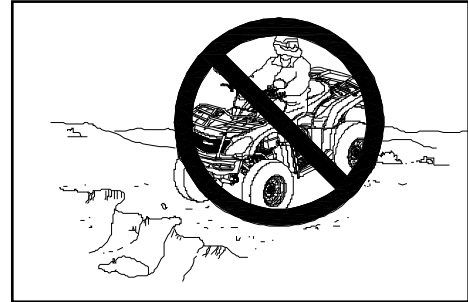
Failure to use extra caution when operating the ATV on unfamiliar terrain.

WHAT CAN HAPPEN:

Unfamiliar terrain may contain hidden rocks, bumps, or holes that could cause loss of control or overturn.

HOW TO AVOID THE HAZARD:

Travel slowly and use extra caution when operating on unfamiliar terrain. Always be alert to changing terrain conditions.



OPERATOR SAFETY

⚠️ WARNING

POTENTIAL HAZARD:

Failure to use extra caution when operating on excessively rough, slippery or loose terrain.

WHAT CAN HAPPEN:

Operating on excessively rough, slippery or loose terrain could cause loss of traction or loss of control, which could result in an accident or overturn.

HOW TO AVOID THE HAZARD:

Do not operate on excessively rough, slippery or loose terrain until you've learned and practiced the skills necessary to control the ATV on such terrain. Always use extra caution on rough, slippery or loose terrain.



OPERATOR SAFETY

WARNING

POTENTIAL HAZARD:

Turning improperly.

WHAT CAN HAPPEN:

Improper turns could cause loss of control and lead to a collision or overturn.

HOW TO AVOID THE HAZARD:

Always follow proper procedures for turning as described in the owner's manual. Practice turning at slow speeds before attempting to turn at faster speeds. Never turn at excessive speed.

OPERATOR SAFETY

WARNING

POTENTIAL HAZARD:

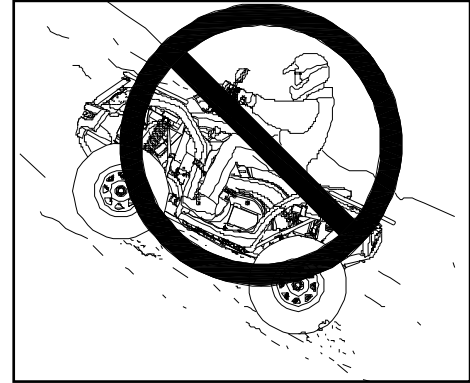
Climbing excessively steep hills or climbing hills improperly.

WHAT CAN HAPPEN:

Improper hill climbing could cause loss of control or overturn.

HOW TO AVOID THE HAZARD:

Never operate on hills too steep for the ATV or for your abilities. Practice on smaller hills before attempting large hills. Always check the terrain carefully before ascending any hill. Never climb hills with excessively slippery or loose surfaces. Shift your weight forward. Never open the throttle suddenly while traveling uphill. The ATV could flip over backwards. Never go over the top of any hill at high speed. An obstacle, a sharp drop, or another vehicle or person could be on the other side of the hill.



OPERATOR SAFETY

⚠️ WARNING

POTENTIAL HAZARD:

Traveling down excessively steep hills.

WHAT CAN HAPPEN:

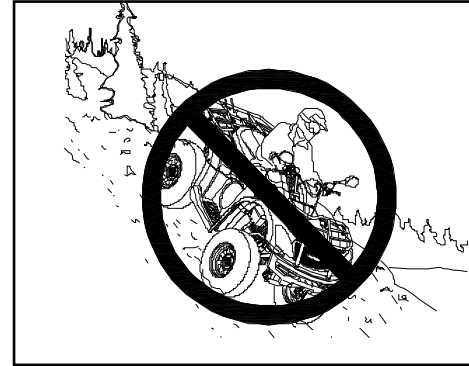
Improper downhill travel could cause loss of control or overturn.

HOW TO AVOID THE HAZARD:

Never operate on hills too steep for the ATV or for your abilities. Practice on smaller hills before attempting large hills. Always check the terrain carefully before attempting any hill. Never descend hills with excessively slippery or loose surfaces.

NOTE:

A special driving and braking technique is required while traveling downhill. Always check the terrain carefully before descending a hill. Shift your weight backward. Never travel down a hill at high speed. Avoid traveling down a hill at an angle, which would cause the vehicle to lean sharply to one side. Travel straight down the hill when possible.



OPERATOR SAFETY

WARNING

POTENTIAL HAZARD:

Improperly crossing hills and turning on hills.

WHAT CAN HAPPEN:

Improperly crossing or turning on hills could cause loss of control or overturn.

HOW TO AVOID THE HAZARD:

Never attempt to turn the ATV around on any hill until you've mastered the turning technique on level ground as described in the owner's manual.

Use extra caution when turning on any hill. Avoid crossing the side of a steep hill.

WHEN CROSSING THE SIDE OF A HILL:

Always follow proper procedures as described in the owner's manual. Avoid hills with excessively slippery or loose surfaces. Shift your weight to the uphill side of the ATV.



OPERATOR SAFETY

⚠️WARNING

POTENTIAL HAZARD:

Stalling, rolling backwards or improperly dismounting while climbing a hill.

WHAT CAN HAPPEN:

The vehicle could overturn.

HOW TO AVOID THE HAZARD:

Maintain a steady speed when climbing a hill.

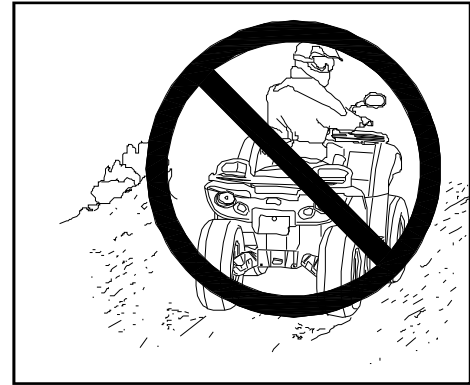
IF ALL FORWARD SPEED IS LOST:

Close the throttle. Keep your weight uphill. Apply the front brake. When fully stopped, apply the foot brake as well, then shift the gear selector to the park position.

IF THE ATV BEGINS ROLLING:

Keep weight uphill. Never apply engine power. Never apply the foot brake while rolling backwards. Apply the front brake. When fully stopped, apply the foot brake and shift the gear selector to the parking position. Dismount on uphill side, or to either side if ATV is pointed straight uphill.

Turn the ATV around and remount, following the procedure described in the owner's manual.



OPERATOR SAFETY

WARNING

POTENTIAL HAZARD:

Improperly operating over obstacles.

WHAT CAN HAPPEN:

Operating over obstacles could cause loss of control or overturn.

HOW TO AVOID THE HAZARD:

Before operating in a new area, check for obstacles. Avoid operating over large obstacles such as rocks and fallen trees when possible. If unavoidable, use extreme caution and always follow proper procedures as outlined in the owner's manual.

WARNING

POTENTIAL HAZARD:

Skidding or sliding.

WHAT CAN HAPPEN:

Skidding or sliding can cause loss of control. If the tires regain traction unexpectedly, the ATV could overturn.

HOW TO AVOID THE HAZARD:

On slippery surfaces such as ice, travel slowly and use extra caution to reduce the chance of skidding or sliding out of control.

OPERATOR SAFETY

WARNING

POTENTIAL HAZARD:

Overloading the ATV or carrying/towing cargo improperly.

WHAT CAN HAPPEN:

Overloading and towing can cause changes in vehicle handling, which could lead to loss of control or an accident.

HOW TO AVOID THE HAZARD:

Never exceed the stated load capacity for this ATV.

Cargo should be properly distributed and securely attached. Reduce speed when carrying cargo or pulling a trailer. Allow a greater distance for braking. Always follow the instructions in the owner's manual for carrying cargo or pulling a trailer.

WARNING

POTENTIAL HAZARD:

Operation of the ATV through deep or fast-flowing water.

WHAT CAN HAPPEN:

The tires may float, causing loss of traction and loss of control, which can lead to an accident or overturn.

HOW TO AVOID THE HAZARD:

Avoid operating the ATV through deep or fast-flowing water. If it is unavoidable to enter water that exceeds the recommended maximum depth, travel slowly, balance your weight carefully, avoid sudden movements, and maintain a slow and steady forward motion. Do not make sudden turns or stops, and do not make sudden throttle changes. Wet brakes may have reduced stopping ability. Always test the brakes after leaving the water. If necessary, apply brakes several times to dry out the pads.

OPERATOR SAFETY

⚠️ WARNING

POTENTIAL HAZARD:

Improperly operating in reverse.

WHAT CAN HAPPEN:

The ATV could collide with an obstacle or person, resulting in severe injury.

HOW TO AVOID THE HAZARD:

Before shifting into reverse gear, always check for obstacles or people behind the ATV. When it's safe to proceed, back slowly.

⚠️ WARNING

POTENTIAL HAZARD:

Operating this ATV with improper tires, or with improper or uneven tire pressure.

WHAT CAN HAPPEN:

Use of improper tires, or operation of the ATV with improper or uneven tire pressure, could cause loss of control or an accident.

HOW TO AVOID THE HAZARD:

Always use the size and type of tires specified in the owner's manual for the ATV. Always maintain proper tire pressure.

OPERATOR SAFETY

WARNING

POTENTIAL HAZARD:

Operating the ATV with improper modifications.

WHAT CAN HAPPEN:

Improper installation of accessories or modification of the ATV may cause changes in handling which could lead to an accident.

HOW TO AVOID THE HAZARD:

Never modify the ATV through improper installation or use of accessories. All parts and accessories added to the vehicle must be genuine parts or equivalent components designed for use on this ATV and should be installed and used according to approved instructions. Consult your dealer for more information.

WARNING

POTENTIAL HAZARD:

Operating on frozen bodies of water.

WHAT CAN HAPPEN:

Severe injury or death can result if the ATV and/or the operator fall through the ice.

HOW TO AVOID THE HAZARD:

Never operate the ATV on a frozen body of water.

OPERATOR SAFETY

WARNING

Leaving the keys in the ignition can lead to unauthorized use of the vehicle, resulting in serious injury or death. Always remove the ignition key when the vehicle is not in use.

WARNING

After any overturn or accident, have a qualified service dealer inspect the entire vehicle for possible damage, including (but not limited to) brakes, throttle and steering systems.

WARNING

Safe operation of this rider-active vehicle requires good judgment and physical skills. Persons with cognitive or physical disabilities who operate this vehicle have an increased risk of overturn and loss of control, which could result in severe injury or death.

WARNING

Exhaust system components are very hot during and after use of the vehicle. Hot components can cause serious burns and fire. Do not touch hot exhaust system components. Always keep combustible materials away from the exhaust system. Use caution when traveling through tall grass, especially dry grass.

OPERATOR SAFETY

Safe Riding Gear

Always wear clothing suited to the type of riding. ATV riding requires special protective clothing for comfort and to reduce the chance of injury:

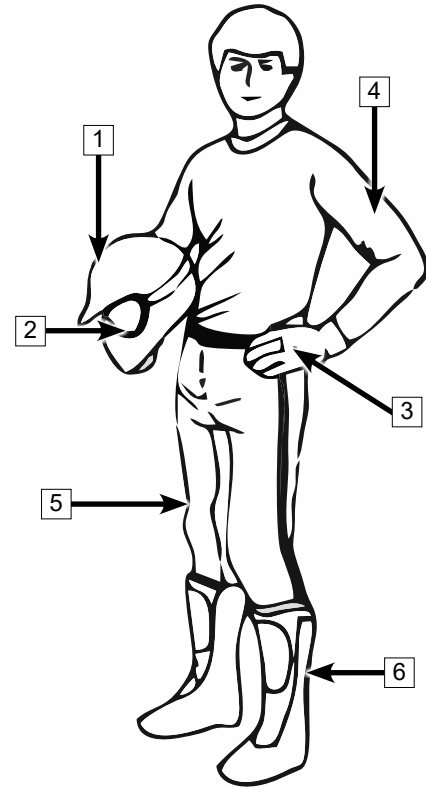
- 1 An approved helmet
- 2 Eye protection.
- 3 Gloves
- 4 Long-sleeved shirts or jackets
- 5 Long pants
- 6 Over-the-ankle boots

According to the actual weather, you may need extra apparel, such as anti-fog eye protection, thermal underwear and a face guard for cold weather. The operator must never wear loose clothing that may get entangled in the vehicle or on tree branches and shrubs.

Helmet and Eye Protection

An approved helmet can prevent a serious head injury if an accident occurs. Please note that even the best helmet is no guarantee against injury.

The helmet you choose should meet the standard for your country or area. A closed-face helmet with face shield will be better at preventing impacts from insects, flying rocks, dust and scattered debris, etc.



OPERATOR SAFETY

An open-face helmet cannot offer the same protection for your face and jaw. Please wear detachable face masks and goggles when wearing an open-face helmet.

Do not depend on eyeglasses or sunglasses for eye protection. They are not sufficient for impact protection. Debris may fly up or break the lens, causing eye injury.

Use tinted masks or goggles in the daytime only, do not use them at night or in poor illumination. They may impair your ability to distinguish colors. Do not use them if your color discrimination is affected.

Gloves

Full-finger gloves could protect your hands from wind, sun, heat, cold, and splash. Well-fitted gloves are helpful for steering and relieve hand fatigue. If the gloves are too heavy, it will be difficult to operate the vehicle.

A pair of strong off-roading gloves offer protection for your hands in the event of an accident or turnover. Snowmobile gloves offer better protection when operating in cold areas.

Jackets, Pants and Riding Suits

Wear a jacket or a long sleeved shirt and long pants, or a full riding suit. Quality protective gear will provide comfort, and it can help you avoid being distracted by adverse environmental elements. In case of an accident, good quality protective gear made of sturdy material may prevent or reduce injury.

In cool-weather riding, protect yourself against hypothermia. Hypothermia, a condition of low body temperature, can cause loss of concentration, slowed reactions and loss of smooth, precise muscle movement. In cool conditions, proper protective gear like a windproof jacket and insulated layers of clothing are essential. Even while riding at moderate temperatures, you can feel very cold due to the wind. Protective gear that is appropriate for cold-weather riding may be too hot when stopped. Dress in layers so that clothing can be removed as desired. Topping the protective gear with a windproof outer layer can prevent cold air from reaching the skin.

OPERATOR SAFETY

Boots

Always wear closed-toe, over-the-ankle boots. Sturdy over-the-ankle boots with non-slip soles offer more protection, and allow you to plant your foot properly on the foot pegs. Avoid long shoelaces that could get tangled in the vehicle components. For winter riding conditions, rubber-soled boots with either nylon or leather uppers and removable felt liners are best suited. Avoid rubber rain boots. Rubber rain boots may get trapped behind the foot brake pedal, impairing proper operation.

Other Riding Gear

Rain Gear

When riding in rainy weather, a rain suit or a waterproof riding suit is recommended. On long rides, it is a good idea to carry rain gear. Keeping clothes dry results in being much more comfortable and alert.

Hearing Protection

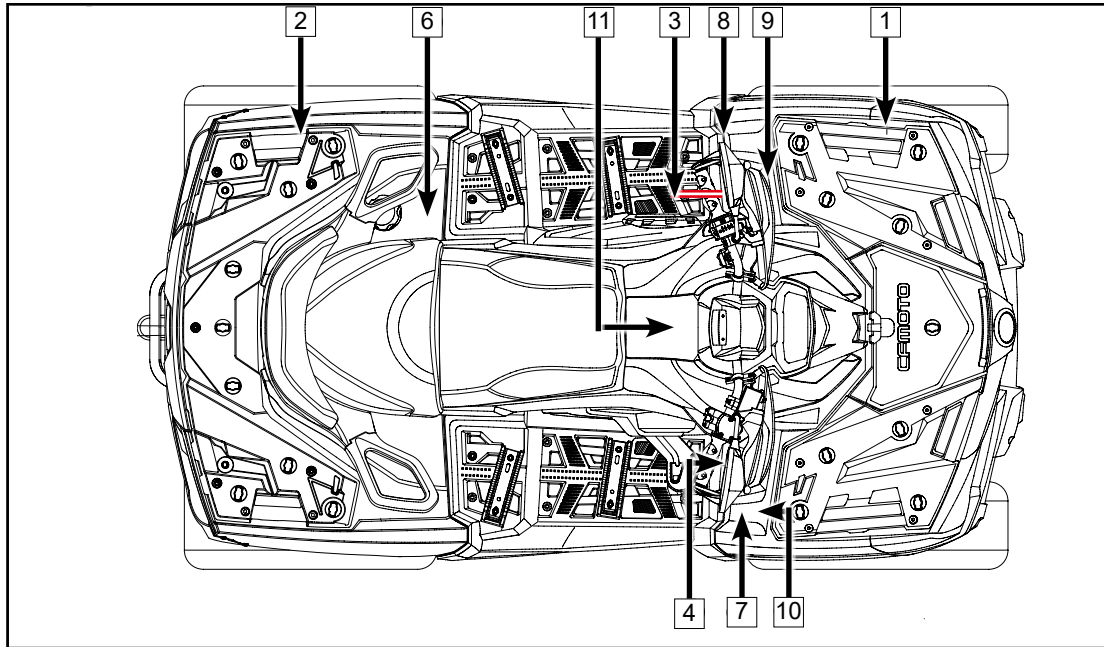
Long-term exposure to wind and engine noise when riding can cause permanent hearing loss. Properly worn hearing protective devices such as earplugs can help prevent hearing loss. Check local laws before using any hearing protective devices.

SAFETY DECALS AND LOCATIONS

Safety Decals and Locations - 2 person ATVs

CFORCE 800 / CFORCE 1000 and CFORCE 1000 OVERLAND 2-person ATVs

Warning decals have been placed on the ATV for your protection. Read and follow the instructions on each decal carefully. If a decal becomes illegible or comes off, contact your dealer to purchase a replacement.



SAFETY DECALS AND LOCATIONS

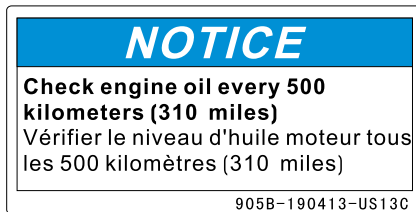
1



2



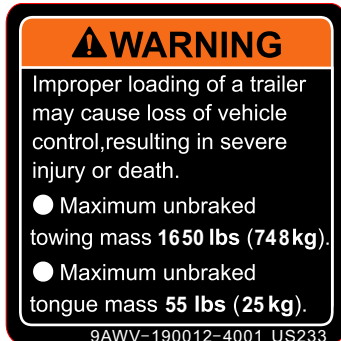
3



4

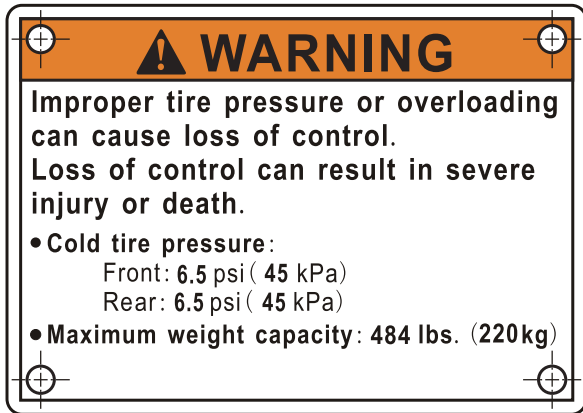


5



SAFETY DECALS AND LOCATIONS

6



7



SAFETY DECALS AND LOCATIONS

8

⚠ WARNING

Improper use can result in SEVERE INJURY or DEATH



ALWAYS USE AN APPROVED HELMET AND PROTECTIVE GEAR FOR DRIVER AND PASSENGER



NEVER USE ON PUBLIC ROADS



NEVER CARRY MORE THAN 1 PASSENGER



NEVER USE WITH DRUGS OR ALCOHOL

NEVER operate :

- without proper ATV training or instruction.
- at speeds too fast for your skills or the conditions.
- on public roads - a collision can occur with another vehicle.
- with a passenger unless passenger seat is securely in place.

THE OPERATOR MUST ALWAYS:

- use proper riding techniques to avoid overturns on hills and rough terrain and in turns
- avoid paved surfaces - pavement may seriously affect handling and control
- reduce speed and use extra caution at all times when carrying a passenger - dismount passenger when conditions require
- make sure passenger reads and understands this label and passenger safety label

LOCATE AND READ OPERATOR'S MANUAL.
FOLLOW ALL INSTRUCTIONS AND WARNINGS

9

DRIVE SELECT LEVER

- Read owner's manual carefully before operating.
- ATV **MUST** be stopped before shifting select lever.
- Shifting into or from reverse or park is impossible without applying rear brake

9

(USA Market)

DRIVE SELECT LEVER

- Read owner's manual carefully before operating.
- Always stop the ATV and press the foot brake pedal before shifting the transmission.

10

⚠ WARNING

Turning the vehicle in 4WD-LOCK ("DIFF.LOCK") takes more effort.

Operate at a slow speed and allow extra time and distance for maneuvers to avoid loss of control.

11

Certification of Compliance

CFMOTO Powersports, Inc.

certifies that this ATV complies with the American National Standard for Four-Wheel All-Terrain Vehicle ANSI/SVIA 1-2017 and is subject to an approved ATV Action Plan submitted by **CFMOTO Powersports, Inc.**, which is on file with the U.S. Consumer Product Safety Commission.

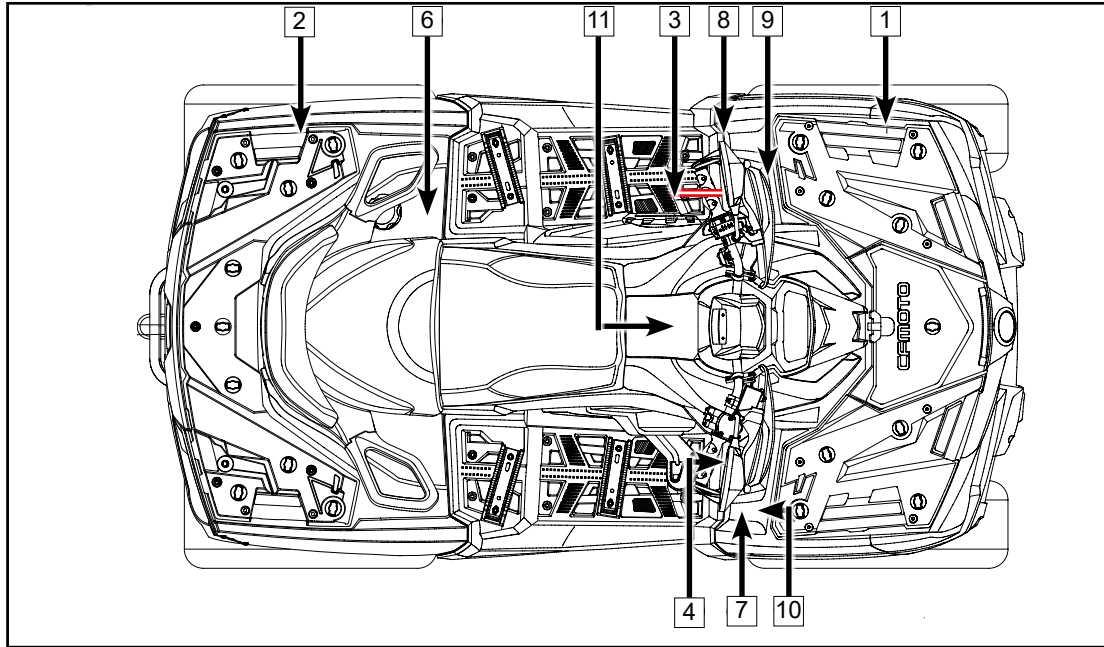
CFMOTO Powersports, Inc.

SAFETY DECALS AND LOCATIONS

Safety Decals and Locations - 1 person ATV

CFORCE 1000 OVERLAND 1-person ATV

Warning decals have been placed on the ATV for your protection. Read and follow the instructions on each decal carefully. If a decal becomes illegible or comes off, contact your dealer to purchase a replacement.

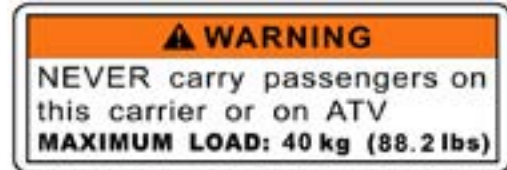


SAFETY DECALS AND LOCATIONS

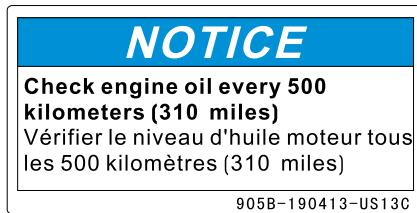
1



2



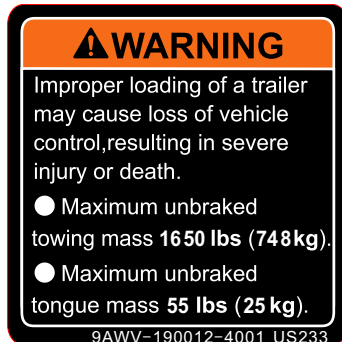
3



4

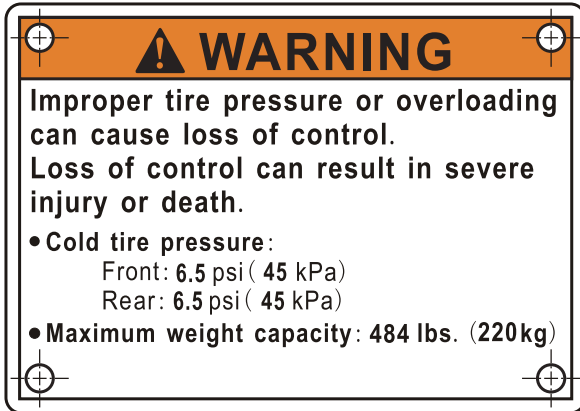


5



SAFETY DECALS AND LOCATIONS

6



7

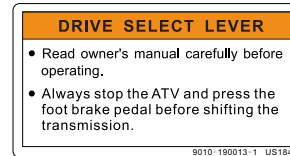


SAFETY DECALS AND LOCATIONS

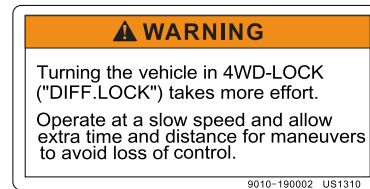
8



9



10



11



FEATURES & CONTROLS

Features & Controls

Left Hand Controls

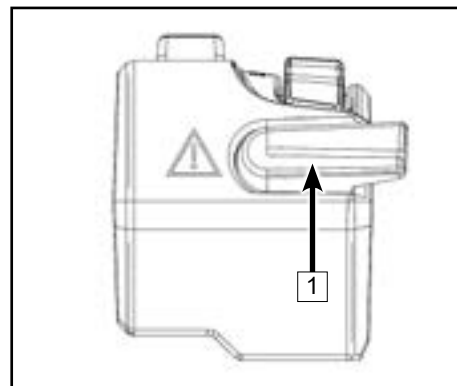
1 Override Button

If conditions require more engine power in 4WD-LOCK:

- Release the throttle, then press and hold the override button **1** to cancel the speed limiting function. While this button is depressed, the override indicator light will be illuminated.
- Releasing the button restores the speed limiting function.

NOTICE

The override switch is unavailable when the vehicle is operating in reverse, 2WD or 4WD mode.



⚠ WARNING


When vehicle is in speed limit mode and the throttle is open, do not depress the override button.


Pressing the override button while the throttle is open can cause loss of control, resulting in severe injury or death. Always release the throttle before pressing the override button.

FEATURES & CONTROLS


2 Headlight Switch

The headlight switch consists of 4 positions:


: When the switch is at this position, Hi beam, front position light, tail light, and license plate light are on.


: When the switch is at this position, Lo beam, front position light, tail light, and license plate light are on.

OFF: When the switch is at this position, only daytime running light is on and all other lights are off.


: When the switch is at this position, daytime running light, tail light, and front position light are on.

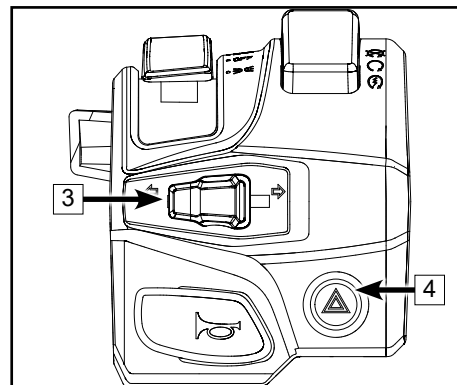
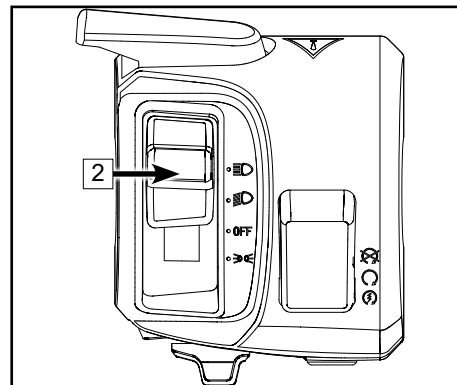
3 Turn Switch (If equipped)

Move the switch to  for left turn signal indicator on.

Move the switch to  for right turn signal indicator on.

4 Hazard Switch (If equipped)

Press the button . Front turn lights, rear turn lights and turn signal indicators on dashboard flash.



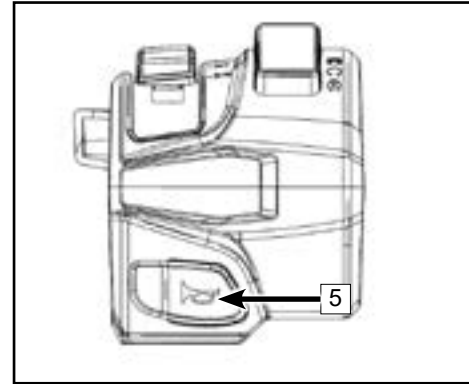
CAUTION

Do not use the headlights with the engine turned off for more than 15 minutes. The battery may discharge to a point that the starter motor will not operate properly. If this should happen, remove the battery and recharge it.

FEATURES & CONTROLS

5 Horn Button

 Press the button, the horn will sound.




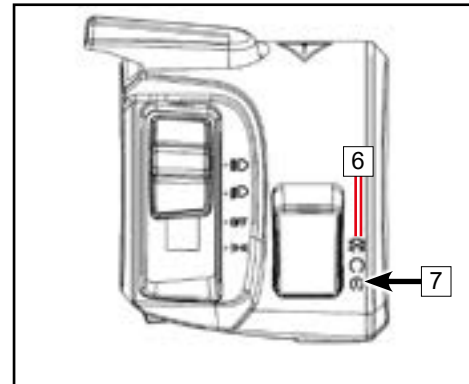
6 Engine Stop Switch

When the switch is at  position, the engine shuts off.

When the switch is at  position, the engine can be started.

7 Starter Switch

When the main switch is turned to ON, and the engine stop switch is at , push this button to start the engine.

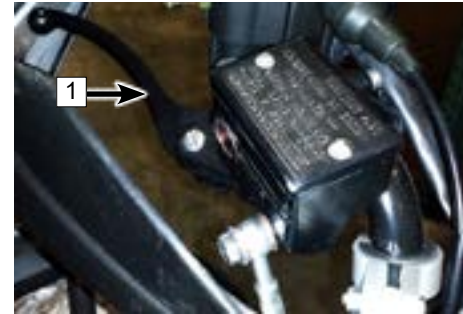


FEATURES & CONTROLS

Right Hand Controls

1 Front Brake

The front brake lever is located on the right handlebar and controls only the front brakes. Pull it toward the handlebar to apply the front brake. When squeezed, the lever or pedal should feel firm. Any sponginess would indicate a possible fluid leak or low master cylinder fluid level, which must be corrected before riding. Contact your dealer for proper diagnosis and repairs.



2 Front Brake Fluid Reservoir and Level Indicator

Check the front brake master cylinder fluid level before each use of the ATV. The front brake master cylinder is located on the right handlebar. The fluid level can be viewed through the indicator window on the side of the master cylinder. If the fluid level is lower than the “lower” mark, refill with brake fluid as necessary.



WARNING

An over-full master cylinder may cause brake drag or brake lock-up, which could result in serious injury or death. Maintain brake fluid at the recommended level. Do not overfill.

FEATURES & CONTROLS

3 2WD / 4WD System Switch

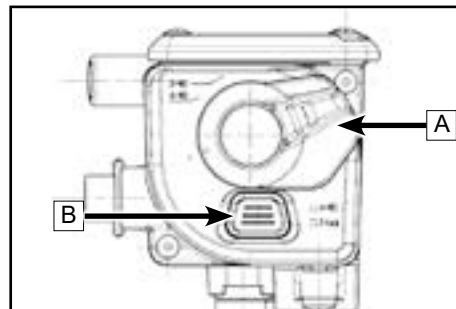
This vehicle is equipped with on-command “2-WD”/”4-WD” and “4-WD/F-LOCK” switches. Activate these switches according to the traction required for different driving conditions.

A: Switches two wheel drive (2-WD) and four wheel drive (4-WD).

B: Switches four wheel drive (4-WD) and four wheel drive lock (F-lock).

⚠ WARNING

The vehicle should be stopped before applying or releasing the function of 2WD/4WD/F-lock. Applying or releasing drive modes while the vehicle is in motion can lead to component damage.



Vehicles without rear differential

“F-lock” Operation

In “F-lock” mode, both front axles are locked together and rotate at the same speed to provide maximum front wheel traction. The steering will require more force for turning. The drive mode indicator on the dashboard will flash until front differential lock is engaged.

Riding before the differential is properly engaged (e.g. when the indicator light is flashing) will cause the engine speed to be limited until engagement is complete.

Maximum traveling speed in F-lock is limited to 22 mph (30 km/h). If conditions require full engine power to be available, press the override switch on the left control to disable speed limiting.

FEATURES & CONTROLS

C(Select Markets): Switches rear wheel drive differential and rear wheel drive lock. This feature only applies to vehicles that are equipped with R-WD/R-Lock function.

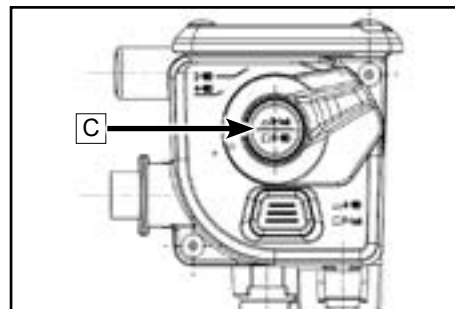
R-lock Operation

In “R-lock” mode, both rear axles are locked together and rotate at the same speed to provide maximum rear wheel traction. Turning effort and tire wear will be increased on hard surfaces. The drive mode indicator on the dashboard will flash until the rear differential lock is engaged.

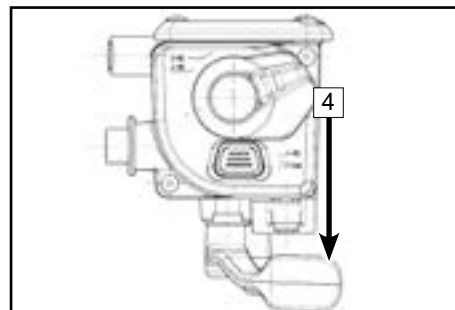
Riding before the differential is properly engaged (e.g. when the indicator light is flashing) will cause the engine speed to be limited until engagement is complete.

4 Throttle Lever

Once the engine is running, movement of the throttle lever will increase the engine speed. Regulate the speed of the machine by varying the throttle position. Because the throttle is spring loaded, the machine will decelerate, and the engine will return to an idle any time the hand is removed from the throttle lever. Before starting the engine, check the throttle to be sure it is operating smoothly. Make sure it returns to the idle position as soon as the lever is released.



Vehicles with rear differential



⚠ CAUTION

Check the operation of the throttle lever before you start the engine. If it does not work smoothly, check for the cause. Correct the problem before riding the ATV. Consult your dealer if you cannot find or solve the problem.

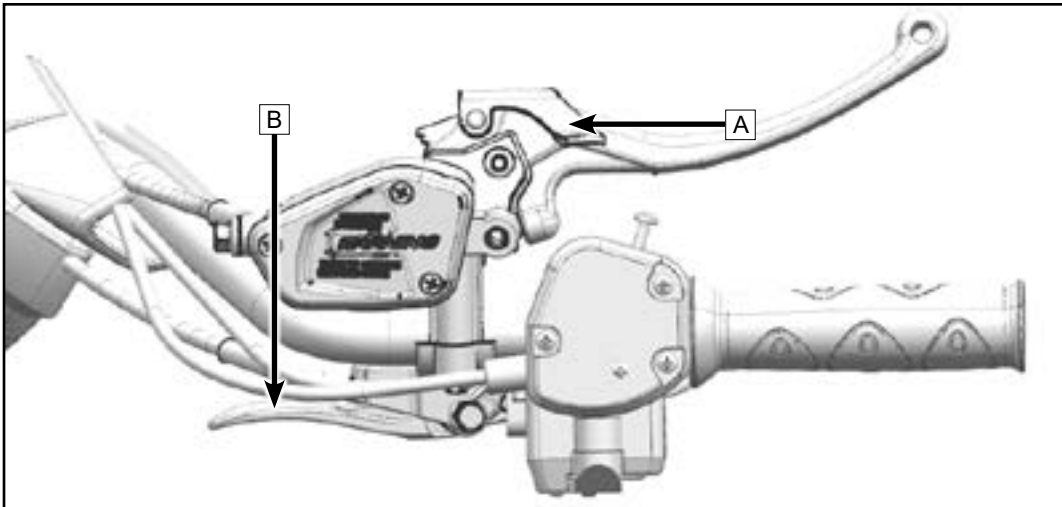
FEATURES & CONTROLS

5 Parking Brake

Parking brake is mounted on the right hand brake. To apply parking brake, grasp tightly the right hand brake first, and press foot brake at the same time, then press the hydraulic parking brake **A** by left hand, or shift the parking brake lever **B** (If equipped) to the right side. When the parking brake is applied, it will stop the throttle working.

⚠ CAUTION

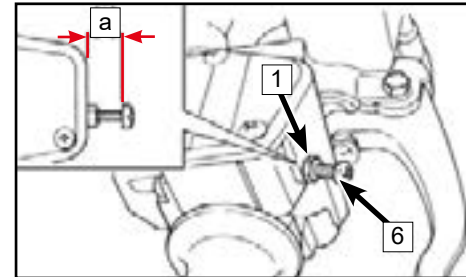
Do not to rely only on the hydraulic parking brake when parked on an incline. For additional safety, shift the transmission to the park position and block the wheels to prevent vehicle rolling.



FEATURES & CONTROLS

6 Mechanical Speed Limiter

A mechanical speed limiter keeps the throttle from fully opening, even when the throttle lever is pushed to maximum travel. Turning in the screw limits the throttle lever travel, which reduces the maximum engine power available and decreases the maximum speed of the ATV.



NOTE:

Your ATV is set for maximum throttle opening from the factory.

CAUTION

Always loosen the locking nut **a** before each adjustment. Do not turn the adjusting screw out more than **b** 12 mm (0.47 in.). Always make sure the throttle lever freeplay remains adjusted to 3 mm ~ 5 mm (0.12 in. ~ 0.20 in.). Tighten the locking nut when the adjustment is completed.

FEATURES & CONTROLS

Foot Brake

The foot brake pedal **1** is located on the right side floor board of the vehicle. Pushing down on the pedal applies the front and rear brakes at the same time.

When applied, the pedal should feel firm. A soft brake pedal would indicate a possible fluid leak or low master cylinder fluid level, which must be corrected before riding. Contact your dealer for proper diagnosis and repairs.



⚠️ WARNING

Operating the ATV with a spongy brake lever or pedal can result in loss of control, which could cause an accident. Never operate with a spongy-feeling brake lever or pedal.

FEATURES & CONTROLS

Foot Brake Reservoir Fluid Level Check

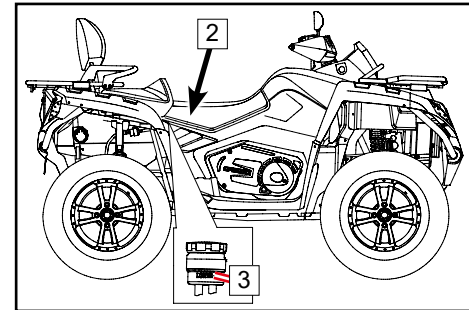
NOTE:

Remove the seat [2], and then check the fluid level.

When checking the fluid level, the ATV must be on level ground. If

fluid level is lower than the “lower” mark [3], add DOT4 brake fluid.

Don't overfill.



⚠ WARNING

Never store or use a partial bottle of brake fluid. Brake fluid is hygroscopic, meaning it rapidly absorbs moisture from the air. The moisture causes the drop of boiling temperature of the brake fluid, which can lead to early brake fade and the possibility of accident or severe injury. After opening a bottle of brake fluid, always discard any unused portion.

FEATURES & CONTROLS

Fuel Tank

Fuel tank cap is located at the rear of the vehicle. Open the fuel tank cap 1 to fill fuel.

Fuel Minimum Octane Rating

The recommended fuel for your ATV is minimum 89 Octane unleaded (maximum 10% ethanol is allowed). Non-oxygenated (ethanol-free) fuel is recommended for best performance in all conditions.



FEATURES & CONTROLS

Fuel Safety

 **WARNING**

Gasoline is highly flammable and explosive under certain conditions.

- Always exercise extreme caution whenever handling gasoline.
- Always refuel with the engine stopped, and outdoors or in a well ventilated area.
- Never carry a plastic container with gasoline in the racks while riding. Static electricity between the rack and container could cause a spark.
- Do not smoke or allow open flames or sparks in or near the area where refueling is performed, or where gasoline is stored.
- Do not overfill the tank. Do not fill the tank neck.
- If gasoline spills on your skin or clothing, immediately wash it off with soap and water and change clothing.
- Never start the engine or let it run in an enclosed area. Engine exhaust fumes are poisonous and can cause loss of consciousness or death in a short time.

 **WARNING**

The engine exhaust from this product contains chemicals known to cause cancer, birth defects or other reproductive harm. Operate this vehicle only outdoors or in well-ventilated areas.

FEATURES & CONTROLS

Transmission Gear Selector

The transmission gear selector 1 is located on the left side of the vehicle.

CAUTION

Always stop the ATV and press the foot brake pedal before shifting the transmission. Shifting gears with the engine speed above idle or while the vehicle is moving could cause transmission damage.

L – Low Gear. The low speed range of the gearbox. It allows the vehicle to move slowly with maximum torque at the wheels.

NOTICE: To avoid damage to the CVT system, always use low gear for constant slow travel, to pull a trailer, carry heavy cargo, go over obstacles, or drive up and down hills.

H – High Gear. The high speed range of the gearbox. It is the normal driving speed range. It allows the vehicle to reach its maximum speed.

N – Neutral. In neutral position the engine power output is disengaged.

R – Reverse. The reverse gear position allows the vehicle to go backwards. Speed is limited in reverse.

P – Park. The park position locks the gearbox to help prevent vehicle from movement.



L: Low Gear
H: High Gear
N: Neutral
R: Reverse
P: Park

FEATURES & CONTROLS

Parking

To park the ATV, stop the engine, press the foot brake, and shift the gear selector lever into the park position.

CAUTION

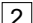
When shifting the transmission in PARK, always push the brake pedal. Shake the vehicle forward and backward to verify that park is engaged.

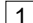

Do not transport the vehicle with the gear selector in the PARK position. Damage to the transmission may result.

Important Safeguards

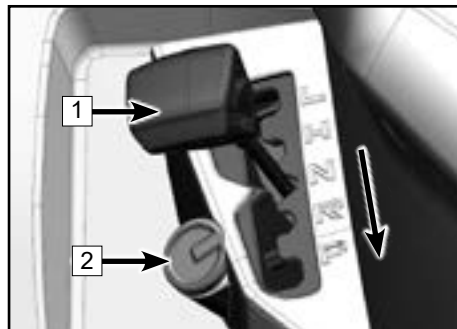
- Never depend on the parking feature alone if the ATV is parked on a hill. Always block the wheels on the downhill side of the ATV to prevent rolling. It is recommended to park the ATV on level ground.

Gear selector lock (If equipped)

The gear selector lock  is used for locking the transmission to prevent the vehicle from theft.

When the vehicle needs to be left for long time or stopped outside, shift the gear selector  into "P" and lock the transmission using the gear selector lock  to prevent theft.

With the gear selector in the parking position, lift the lock cover, then insert the key and turn it 180° clockwise. The gear selector will be locked.



FEATURES & CONTROLS

CVT System

This vehicle has a Continuously Variable Transmission (CVT) system that utilizes a belt and clutch pulleys to automatically vary transmission ratios, allowing infinite variability between the highest and lowest vehicle speeds with no discrete steps or shifts.

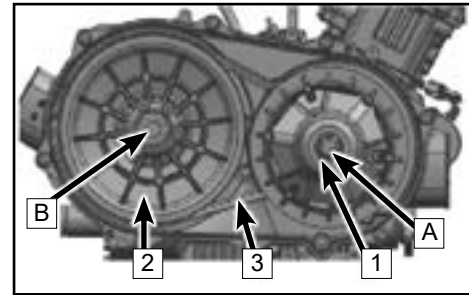
The CVT consists of a primary clutch [1], which is an advanced form of centrifugal clutch that is mounted to the engine crankshaft [A].

The secondary clutch [2] is mounted to the input shaft of the transmission [B] and serves two functions: As a “slave” pulley to the primary clutch, and to provide a torque sensing element. The drive belt [3] is a heavy duty V-belt that connects the engine and transmission pulleys.

A CVT housing and cover encloses the clutches and belt assembly. It has inlet and outlet cooling ducts that route air to cool the components, and they should be inspected. The CVT components do not contain any user maintenance items. Contact your dealer for service.

NOTE:

To extend belt life, use low forward gear in heavy pulling situations and when operating at less than 12 mph (19 km/h) for extended periods of time. If towing the vehicle becomes necessary, shift the transmission into neutral for better mobility and to prevent damage to the belt.



FEATURES & CONTROLS

How To Avoid CVT Drive Belt and Component Failure

CVT clutch and belt life can be dramatically extended by avoiding these common operating mistakes:

| Causes CVT Damage: | How To Avoid CVT Failure: |
|--|---|
| Attempting to load the vehicle onto a truck bed or tall trailer in high gear. | Shift transmission to low gear during loading of the ATV to prevent belt burning. |
| Starting out on a steep incline in high gear. | When starting out on an incline, use low gear or dismount the ATV (after first applying the park brake) and perform the K-turn. |
| Constant driving at low RPM, driving at just above clutch engagement RPM, or at low speed (Less than 12 mph [19 km/h]) in high gear. | Use low gear for cooler CVT operating temperatures and longer component life. Drive at higher speeds or use low gear more frequently. |
| Insufficient warm-up of CVT exposed to low ambient temperatures. | Warm the engine before driving, the CVT drive belt will become more flexible and prevent belt burning. |
| Slow and easy CVT clutch engagement. | Use the throttle with purpose and effectively for efficient CVT clutch engagement. |
| Towing/pushing at low RPM/low ground speed. | Use low gear only. |
| Utility use/plowing snow, dirt, etc. | Use low gear only. |
| Heavy vehicle load operating at low speed | Use low gear only. |

FEATURES & CONTROLS

| Causes CVT Damage: | How To Avoid CVT Failure: |
|---|--|
| Stuck in mud or snow. | Shift the transmission to low gear, and carefully use fast, aggressive throttle application to engage clutch. WARNING: Excessive throttle may cause loss of control and vehicle overturn. |
| Climbing over large objects from a stopped position. | Shift the transmission to low gear, and carefully use fast, brief, aggressive throttle application to engage clutch. WARNING: Excessive throttle may cause loss of control and vehicle overturn. |
| Belt slipping from water or snow ingestion into the CVT system. | Drain the water from the CVT housing and dry the CVT if possible, or contact your dealer. |
| Overheating of the CVT components causes malfunction. | Contact your dealer for inspection and repair of the CVT components. |

FEATURES & CONTROLS

Vehicle Features

Main Switch

The functions of the main key switch positions are as follows:

⌚ : All electrical circuits are switched on. The engine can be started at this position. The key cannot be removed in this position.

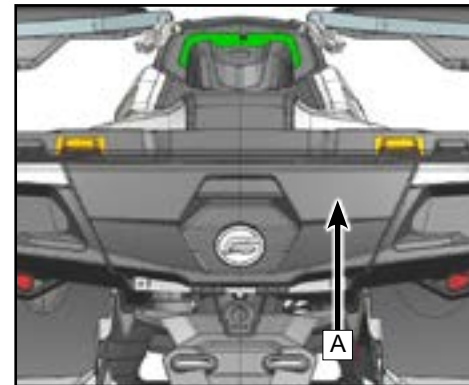
⊗ : All electrical circuits are switched off. The key can be removed in this position.

NOTE:

Remove and store the spare key in a safe place. Your key can be duplicated only by mating a key blank with one of your existing keys. If both keys are lost, the complete switch assembly must be replaced.

Tool Kit

Tool Kit **A** is located under the seat.



FEATURES & CONTROLS

12 Volt and USB Accessory Power

Auxiliary 12Vdc power and USB outlets are provided on the left side front fender area for operating accessories such as hand held spot lights and charging electronic devices. Please consult with your dealer on the use of powered accessories with your vehicle.

Towing

This vehicle is equipped with a hitch receiver for towing trailers. Please consult with your dealer about towing, the use of trailers, and available accessories for connecting a trailer to the vehicle.

Alarm

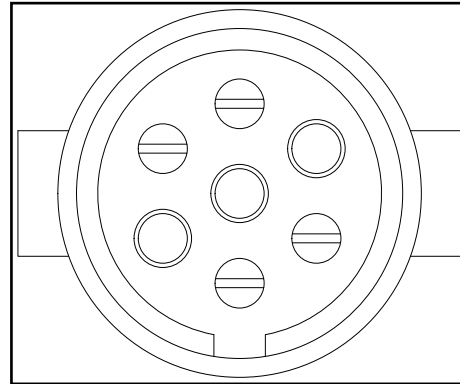
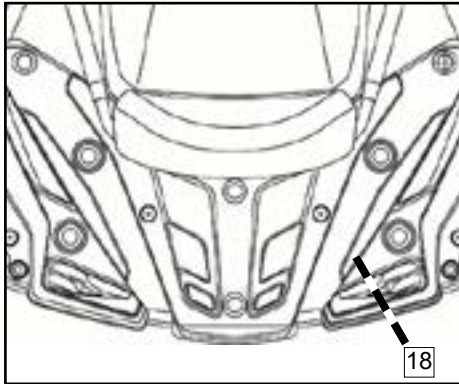
This vehicle is configured with an alarm that performs the following functions:

- When oil pressure signal is in GND, and oil pressure is $<0.06\text{mpa}$ (8.7psi), alarm sounds one short/time. When the oil pressure rises to the normal range, the alarm disappears.
- If water temperature is $\geq 115^{\circ}\text{C}$ (239°F), alarm sounds two short/time. When the water temperature returns to the normal range, the alarm disappears.
- If the operator leaves the seat without parking, the OPC indicator on the dashboard will flash and the alarm will sound.

FEATURES & CONTROLS

Trailer Power Socket (If equipped)

Depending on market configuration, This vehicle is equipped with 7-pin trailer power socket 18, located under the rear of the vehicle. The socket wires are configured to the standard shown in the image. An accessory trailer power socket and converter is required for trailers that do not have a 7-pin connector. Contact your dealer for more information.



FEATURES & CONTROLS

Winch

This vehicle is equipped with a 3500-lb winch. The winch control is located on the left handle bar. To preserve battery power, only operate the winch when the engine is running. Please refer to the winch operation section of this manual or consult with your dealer on the use of the winch before using your vehicle.

GENERAL SAFETY PRECAUTIONS REGARDING WINCH USE

Moving Part Hazards

To prevent serious injury and property damage:

- Do not operate a winch without reading and understanding the instructions located in the winch operation section of this manual.
- Keep hands clear of wire rope, hook and fairlead opening during operation.
- Always use the supplied hook strap for applying tension when spooling in wire rope.
- Stand clear of wire rope and load during operation.
- Keep others away.
- Inspect winch installation and wire rope condition before operating the winch
- Do not use the winch as a hoist.
- Do not use the winch to move people.
- Do not exceed the rated capacity of the winch.
- Never touch wire rope or hook while in tension.
- Be certain the anchor point you select will withstand load.
- Never attach wire rope back onto itself. Use a chain or tree trunk protector on the anchor point.

FEATURES & CONTROLS

- Prior to initiating a winching operation, be sure any element which can interfere with safe winching is removed.
- Do not disengage the winch drum when it is under load or the wire rope is in tension.
- Take your time. Poor rigging of the wire rope and load causes accidents.
- The wire rope must always spool onto the drum in the direction indicated by the rotation indicator.

To avoid injury and property damage:

- Do not use the winch to secure the vehicle or a load for transport.
- Do not submerge the winch in water.
- Do not use the winch to tow other vehicles.
- Wear heavy leather gloves when handling the wire rope.
- Never winch with less than 5 wraps of wire rope around the drum.
- Caution should be used if the vehicle is tied down for a winching operation. This may lead to damage to the frame.

FEATURES & CONTROLS

Winch Operation

(Select Markets) Your vehicle may be equipped with a winch that can pull certain capacities and types of loads. It is useful for vehicle self-recovery when stuck, assisting another vehicle in recovery, moving fallen trees, removing brush, etc.

Consider practicing the operation and use of your winch before you actually need to use it.

The safety warnings, operating precautions and instructions in this section apply if your vehicle came equipped with a winch, or if you choose to install an accessory winch on your vehicle:

Winch Safety Warnings

These safety warnings apply if your vehicle is equipped with a winch, or if you choose to install an accessory winch on your vehicle:

- Read and understand all sections of this manual.
- Improper winch use or failure to correctly follow the winch guidelines, instructions, and warnings in this manual can result in SEVERE INJURY or DEATH.
- Improper or lack of winch maintenance and service could lead to SEVERE INJURY or DEATH.
- Always keep body, hair, clothing, and jewelry clear of the winch cable, fairlead, and hook during winch operation.
- Always keep the area around the vehicle, winch, winch cable and load clear of people, pets, and distractions during winch operation.
- Always wear eye protection and heavy gloves during winch operation.
- Never use alcohol or drugs before or while operating the winch.

FEATURES & CONTROLS

- Never allow children under 16 years of age to operate the winch.
- Never attempt to “jerk” a load attached to the winch by moving the vehicle.
- Never winch up or down, or to the sides at sharp angles. This can destabilize the winching vehicle and possibly cause it to move without warning.
- Never attempt to winch loads that weigh more than the winch capacity rating.
- Never touch, push, pull, or straddle the cable while winching a load.
- Never let the winch cable run through your hands, even if wearing heavy gloves.
- Never release the drum on the winch when the winch cable is under load.
- Never use the winch for lifting or transporting people.
- Never use the winch to hoist or suspend a vertical load.
- Never retract the hook fully into the winch. This can cause damage to system components.
- Never operate the winch or the vehicle if they are in need of repair or service.
- Always turn the ignition switch OFF and unplug the remote control (if equipped) to prevent inadvertent activation or unauthorized use when the vehicle or winch are not being used.

Winch Operating Precautions

These operating precautions should always be followed if your vehicle is equipped with a winch, or if you choose to install an accessory winch on your vehicle:

- Always inspect your winch and winch cable before each use.
- Always use the provided hook strap when pulling cable out or guiding cable in. Never grab the hook.
- Always align the load directly in front of the vehicle and winch as much as possible. Avoid winching with the cable at a sharp angle to the winching vehicle’s centerline whenever possible.

FEATURES & CONTROLS

- If winching at an angle is unavoidable, follow these precautions while operating:
- A. Look at the winch drum occasionally. Never let the winch cable “stack” or accumulate at one end of the drum. Too much cable at one end of the drum can damage the winch and cable.
- B. If cable stacking occurs, stop winching. Follow the ‘Winch Cable Spooling Guidelines’ section in this manual to redistribute the cable evenly before continuing.
- Always apply the vehicle’s park brake and/or park mechanism to hold the vehicle in place during winching. Use wheel chocks when necessary.
- Always maintain at least five full turns of cable wrapped around the winch drum at all times. The friction provided by the wrapped cable allows the drum to pull on the winch cable and move the load.
- Never grease or oil the winch cable. This will cause the winch cable to collect debris that will shorten the life of the cable.
- The winch motor and relay connector may become hot during continuous use. When winching for more than 45 seconds, or if the winch stalls during operation, stop and allow the winch components to cool for a minimum of 10 minutes before using it again.
- Never operate the winch without running the engine. The engine’s charging system helps keep the battery maintained. Battery reserve capacity can be quickly exhausted by heavy winch use, rendering the starting system inoperable.
- Always operate with concern for the environment. Do not purposely damage trees, etc.

Basic Winch Operation

Follow these operating instructions if your vehicle is equipped with a winch, or if you choose to install an accessory winch on your vehicle. Read *Winch Safety Warnings and Winch Operating Precautions* on the preceding pages before using your winch.

FEATURES & CONTROLS

BEFORE YOU BEGIN - Realize that each winching situation is unique:

- Take your time to think through the winch operation you are about to perform.
 - Proceed slowly and deliberately.
 - Never hurry or rush during winching.
 - Always pay attention to your surroundings.
 - Be prepared to change your winching strategy if it is not working.
 - Remember that although your winch is very powerful, there are simply some situations that you and the winch will not be able to deal with. Do not be afraid to ask others for help when necessary.
1. Always inspect the vehicle, winch, cable and controls for signs of damage or parts in need of repair before each use. Pay particular attention to the first 3 feet (1 meter) of winch cable if the winch is used (or has been used) for lifting a plow. Promptly replace any worn or damaged cable.
 2. Apply the vehicle's park brake and/or park mechanism to hold the vehicle in place during winching. Use wheel chocks when necessary.
 3. Release the winch drum and pull out the required length of cable. Always use the hook strap to handle the hook. Never remove the hook strap from the hook.

| |
|--|
|  CAUTION |
|--|

| |
|--|
| Always maintain a minimum of five (5) full turns of cable around the winch drum at all times. The friction provided by wrapping cable allows the drum to pull on the cable and move the load. |
|--|

4. Attach the hook onto the load, or use a tow strap or chain to secure the load to the winch hook. Never hook the winch cable back onto itself. This can damage the winch cable and result in cable failure.

FEATURES & CONTROLS

WARNING

Never use a 'recovery strap' for winching. Recovery straps are designed to stretch and could release excessive energy that can result in SEVERE INJURY or DEATH if the strap or winch cable breaks. Use only undamaged tow straps or chains that do not stretch.

5. Re-engage the winch drum.
6. Slowly winch in slack of the winch cable until it is gone, then stop and follow the instructions for 'winch damping' to ensure safe operation:
 - A. Place a damper on the mid-point of winch cable length to absorb energy that could be released by a winch cable failure. A damper can be a heavy jacket, tarp, or other soft, dense object. A damper can absorb much of the energy released if the cable breaks during winching. Even a tree limb can help as a damper if no other items are available to you.
 - B. Lay the damper on top of the mid-point of the winch cable length.
 - C. On a long pull, it may be necessary to stop winching so the damper can be repositioned to a new mid-point. Always release the tension on the winch cable before repositioning the damper.
 - D. Avoid being directly in line with the winch cable whenever possible. Also, never permit others to stand near or in line with the winch cable during winch operation.
7. Stop winching as soon as the job is completed or the load can be moved without the help of the winch.
8. Detach the winch hook, then rewind the cable evenly back onto the drum following the instructions in this manual.

FEATURES & CONTROLS

Vehicle Recovery Methods

Vehicle Self-Recovery:

- A. Release the winch drum and pull out the required length of cable.
- B. Whenever possible, pick an anchor point that aligns the winch cable to the vehicle's centerline as close as possible. This will help the spooling of the winch cable and reduce the load on the fairlead.
- C. Attach the winch hook to an anchor point. **NOTE::** If freeing a stuck vehicle by attaching to a tree, use an item such as a tow strap to avoid damaging the tree during winch operation. Sharp cables and chains can damage and even kill trees. Always respect the environment.
- D. Re-engage the winch drum.
- E. Slowly winch in any slack in the winch cable, then damper it.
- F. Shift to the lowest gear available that will propel the vehicle in the direction of winching.
- G. Carefully apply winch power and throttle together to free the vehicle.

⚠ CAUTION

Using the vehicle throttle and winching at the same time has risk and is optional. Place the vehicle in neutral and use only the winch if unsure of your operating abilities

- H. Stop winching as soon as the stuck vehicle is able to propel itself without the help of the winch.
- I. Detach the winch hook, then rewind the cable evenly back onto the drum following the instructions in this manual.

⚠ CAUTION

The ONLY time a winch-equipped vehicle should be moving and using the winch is for self-recovery. The winch-equipped vehicle should NEVER use motion to “shock-load” the winch cable in an attempt to recover a second stuck vehicle. See ‘Winch Shock Loading’ section in this manual for more information.

FEATURES & CONTROLS

Recovery of Another Vehicle:

- A. Release the winch drum and pull out the necessary length of cable.
- B. Attach the winch hook to the vehicle. Whenever possible, pick an anchor point on the stuck vehicle that aligns the winch cable to the winching vehicle's centerline as close as possible. This will help the spooling of the winch cable and reduce the load on the fairlead.

| |
|--|
|  CAUTION |
|--|

| |
|--|
| Never attach the winch hook to a suspension component, brush guard, bumper or cargo rack. Vehicle damage may result. Always attach the hook to the strongest available portion of the vehicle frame or hitch. |
|--|

- C. Re-engage the winch drum.
- D. Slowly winch in any slack in the winch cable, then damper it.
- E. Shift to the lowest gear available on the stuck vehicle that will propel it in the direction of winching.
- F. Carefully apply winch power and the stuck vehicle's throttle together to free it.
- G. Stop winching as soon as the stuck vehicle is able to propel itself without the help of the winch.
- H. Detach the winch hook, then rewind the cable evenly back onto the drum following the instructions in this manual.

Winch Cable Care

Always inspect your winch cable before each use for worn or kinked winch cable. Never use a cable that is damaged. Follow these guidelines for inspection and use:

- A winch cable made of wire rope that is kinked, deformed, or bent is permanently and severely damaged. Promptly discontinue use of a winch cable in this condition.

FEATURES & CONTROLS

- A kinked winch cable made of wire rope that has been “straightened out”, even though it may look usable, has been permanently and severely damaged. It can no longer achieve its load capacity rating. Promptly discontinue use of a winch cable in this condition.
- A winch cable made of synthetic rope should be inspected for signs of fraying. Replace the cable if fraying is observed. Promptly discontinue use of a winch cable in this condition.
- Replace synthetic winch cable if fused or melted fibers are discovered. The synthetic rope will be stiff and appear smooth or glazed in the damaged section. Promptly discontinue use of a winch cable in this condition.
- Never replace a synthetic winch cable with consumer-grade polymer rope. Only use cable that is specifically designed for winch use.
- Never grease or oil a wire rope winch cable. This will cause the cable to collect debris that will shorten the life of the cable.
- Never operate the winch with a damaged hook or latch. Always replace damaged parts before using the winch.

WARNING

Replace the winch cable and components at the first sign of damage to prevent SEVERE INJURY or DEATH in the event of failure.

Winch Cable Spooling Guidelines

After winching is complete, especially if winching at an angle, it may be necessary to respool the winch cable evenly across the drum. This reduces the chances of the winch cable “wedging” itself between lower layers of cable. You will need an assistant to perform this task:

- A. Release the winch drum.

FEATURES & CONTROLS

- B. Pull out the winch cable that is wrapped unevenly onto the drum.
- C. Re-engage the winch drum.
- D. Have an assistant pull the winch cable hook strap tightly to apply about 100 lbs. (45 kg) of tension.
- E. Slowly winch the cable in while the assistant moves the end of the cable back and forth horizontally to evenly distribute it onto the drum.

Winch 'Shock Loading'

Your winch (if equipped) is designed and tested to withstand the loads produced when operated from a stationary vehicle. Always remember that the winch, cable and components are NOT designed for shock loading. Follow these guidelines:

- Never attempt to “jerk” a load with the winch. For example, never take up cable slack by moving the winching vehicle in an attempt to move an object. This is a dangerous practice that generates high loads which may exceed the strength of the components. Even a slow moving vehicle can create a large shock load which can cause damage.
- Never quickly turn the winch ON and OFF repeatedly (“jogging”). This is a form of shock loading. This puts extra load on the winch components, the cable, and generates excessive heat in the motor and relay assembly.
- Never tow a vehicle or other object with your winch. Towing with a winch produces shock loading even when towing at slow speeds. Towing from the winch also positions the towing force high on the vehicle, which can cause vehicle instability and the possibility of an accident.

FEATURES & CONTROLS

- Never use recovery straps with your winch. This is a form of shock loading. Recovery straps are designed to stretch and can store energy. Stored energy in the recovery strap is released if a failure occurs, making the event even more hazardous. Similarly, never use elastic “bungie” cords for winching.
- Never use the winch to tie down the vehicle to a trailer or other transporting unit. This is a form of shock loading that can cause damage to the winch components, the cable, or the transporting unit.

FEATURES & CONTROLS

Front panel access

Your vehicle is equipped with an access panel on the front rack.

To remove the panel:

1. Lift and pull the rubber retaining strap away from the panel until the strap releases from the front tab.
2. Lift up on the nose of the panel. Slide the panel upward toward you and away from the rack.

To reinstall the panel:

1. Align the tabs at the rear of the cover into the rack and place the cover into the rack opening.
2. Press down on the center of the cover.
3. Lift and push the rubber retaining strap onto the front panel tab to secure it.

Rear storage

Your vehicle is equipped with a storage compartment at the rear of the vehicle.

To open:

1. Lift and pull the rubber retaining strap away from the cover until the strap releases from the tab.
2. Pull the cover toward you.

To close:

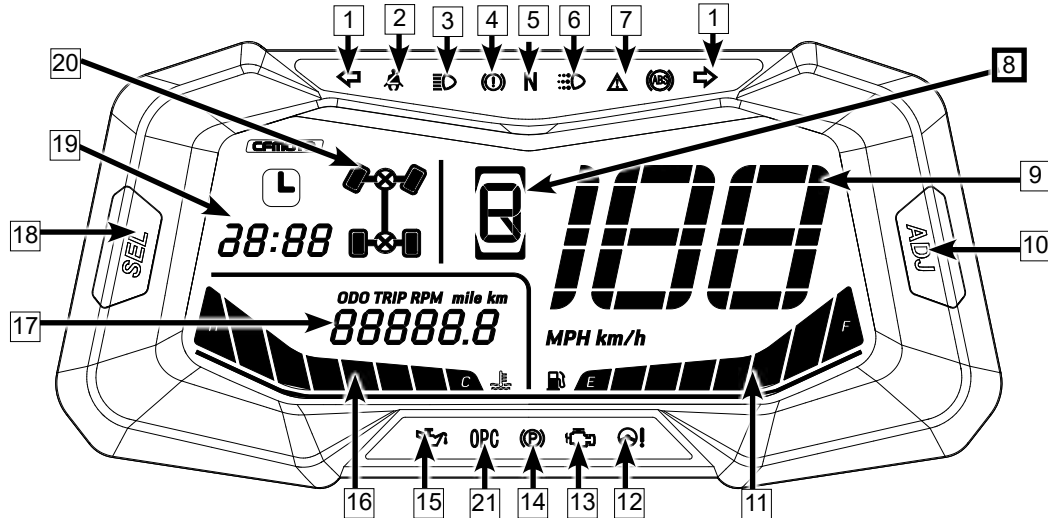
1. Secure the cover onto the opening.
2. Press on the center of the cover.
3. Lift and pull the rubber retaining strap onto the cover tab to secure it.

FEATURES & CONTROLS

Dashboard Indicators and Operation

| | | | | | | | |
|---|--------------------------------|----|---------------------|----|-------------------------------|----|--------------|
| 1 | Turning light, LH | 7 | Override indicator | 13 | Diagnostic Display | 19 | Clock |
| 2 | Seat Belt Indicator | 8 | Gear Position Light | 14 | Parking Brake Indicator | 20 | Drive Method |
| 3 | High-beam light indicator | 9 | Speedometer | 15 | Oil Pressure Signal Indicator | 21 | OPC |
| 4 | Brake Fault Warning Indicator | 10 | ADJ | 16 | Coolant Temperature | | |
| 5 | Neutral Pilot Lamp | 11 | Fuel Gauge | 17 | Rider Information Center | | |
| 6 | Daytime running lamp indicator | 12 | EPS Indicator | 18 | SEL | | |

NOTE:: Turning light 1 , seat belt indicator 2 available only in select countries



FEATURES & CONTROLS

Indicators and Warnings

Turning Light - 1

If equipped.

Seat Belt Indicator - 2

If equipped.

High-beam light indicator - 3

This indicator illuminates when the headlight switch is in this position.

Brake Fault Warning Indicator - 4

This indicator displays when brake fluid level is low.

Neutral Pilot Lamp - 5

This indicator displays when the transmission is in Neutral.

Daytime running lamp indicator - 6

This indicator displays when headlight turns on.

Override indicator - 7

This indicator displays when override function is activated.

Gear position light - 8

This indicator displays when the transmission is in Low, High, Neutral, Reverse or Park.

Speedometer - 9

This dashboard section can be toggled to display the vehicle speed in Kilometers per hour (km/ h) or Miles Per Hour (MPH).

FEATURES & CONTROLS

ADJ Button - 10

Use the ADJ button to set the information area options.

Fuel Gauge - 11

Indicates the fuel level in the fuel tank. “F” indicates the fuel level is approximately 28 L. When fuel gauge is in the red zone, the reserve fuel in the fuel tank is approximately 4.0 L. Refuel in this case.

EPS Indicator - 12

This indicator light flashes when a fault occurs in the Electronic Power Steering system.

EFI Fault Indicator - 13

This indicator displays when a fault occurs in the Electronic Fuel Injection system.

Parking Brake Indicator - 14

This indicator displays when parking brake function is activated.

Oil Pressure Signal Indicator - 15

If Oil Pressure Signal Indicator is on. There might be something wrong with the oil system. please have your vehicle serviced.

Coolant Temperature - 16

This dashboard section displays the current coolant temperature, ‘C’ is low temperature, ‘H’ is high temperature. Both over-low and over-high are abnormal. Idle the vehicle to warm the engine when it’s too cold, and park the vehicle when it’s too hot to prevent the coolant from boiling. Keep the coolant temperature in a normal range.

FEATURES & CONTROLS

Rider Information Center - 17

Indicates the total mileage the vehicle has traveled. Press SEL button to toggle to TRIP meter, tachometer, RPM, engine hour, battery voltage, or dashboard brightness.

SEL Button - 18

Use the SEL button to toggle through the information area options.

Clock - 19

Displays the current time. This dashboard section can be adjusted by using the “ADJ” and “SEL” buttons.

Drive Method - 20

It indicates 2WD, 4WD or 4WD-LOCK drive method chosen.

Operator Presence Control: OPC - 21

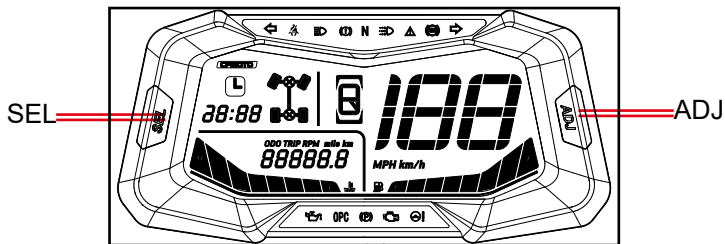
When driver leaves the seat without parking, the indicator will illuminate and an alarm sounds.

| OPC Function Diagram | | | |
|-----------------------------|------------------|----------------------------------|---------------|
| Signal | Condition | | |
| Engine RPM state (r/min) | ≤1800 | ≤1800 | >1800 |
| Parking state | Parking | No Parking | / |
| Driver leaves the seat | / | Driver leaves the seat | / |
| OPC alarm | OPC is silent | OPC indicator flashes and alarms | OPC is silent |

FEATURES & CONTROLS

Dashboard Navigation / Settings / Adjustments

| Item | Display | SEL / ADJ Button | Result |
|-------------------------------------|---|---|---|
| Mode Toggle | Odometer / Trip Distance / Engine RPM Engine Hours / Battery Voltage / Brightness | Short Press 'SEL' | ODO→TRIP→RPM→H→ V→L-I-g-H--5→ODO |
| Metric / Standard Toggle | Speed/Distance | Long Press 'SEL' and toggle through clock mode / Short Press ADJ | Metric ↔Standard Values |
| Trip Distance Reset | Trip Distance | Long Press 'ADJ' in Odometer mode | Distance reset to zero |
| Clock Hours / Minutes Adjustment | Time | Long Press 'SEL' Short Press 'ADJ' Short Press 'SEL', then Short Press 'ADJ' in clock mode | Enter clock mode Incremental 1-24 Incremental 00-59 |
| Display Brightness | L-I-g-H--5 | Short Press 'ADJ' | 5 levels of brightness |



OPERATION OF YOUR ATV

Operation of your ATV

Break-In Period

The break-in period for your new ATV is very important. Careful treatment of a new engine will result in more efficient performance and longer life for the engine. Perform the following procedures carefully.

1. Select an open area that allows room to familiarize yourself with vehicle operation and handling.
2. Place the ATV on a level surface.
3. Fill the fuel tank with gasoline.
4. Check the engine oil level. Add the recommended oil if necessary to maintain the oil level between the minimum and maximum indicators on the dipstick.
5. Position yourself in the operating position on the vehicle and start the engine. Allow the engine to idle for a short period before operating.
6. Press the foot brake, select the desired gear, and then release the foot brake.
7. Apply throttle. Drive slowly at first, varying throttle positions not more than $\frac{1}{2}$ throttle for 10 hours or 100 miles, then another 10 hours or 100 miles of not more than $\frac{3}{4}$ throttle (whichever interval arrives first). Do not operate at sustained idle or sustained wide open throttle.
8. Do not pull or carry any loads during the break-in period.
9. At the end of the break-in period, change the oil and filter (20hrs or 200 miles/320km).

OPERATION OF YOUR ATV

⚠ CAUTION

To avoid engine damage during the break-in period:

- Do not load or tow cargo.
- Do not operate at sustained full throttle. Damage to engine parts or decreased engine life may result if excessive wide open throttle is used during the break-in period.
- Do not run engine with throttle over 1/2 open during the first 10 hours or 100 miles/160km of use.
- Do not run engine with throttle over 3/4 open during the next 10 hours or 100 miles/160km of use.

Recommended Engine Oil Viscosity

Use of any oil other than those recommended may cause serious engine damage. CFMOTO recommends the use of 10W-40 for 2-cylinder 4-stroke engines. Changing engine oil viscosity to 5W-40 or 15W-40 due to cold or hot environments is acceptable. Reference the chart below for ambient temperature and viscosity choice.

| | | | | | | | | |
|---------------|-------|-----|-------|--------|----|----|----|-----|
| Oil Viscosity | | | | 15W-40 | | | | |
| | | | | ————— | | | | |
| | | | | 10W-40 | | | | |
| | | | ————— | | | | | |
| | | | | 5W-40 | | | | |
| | ————— | | | | | | | |
| F* | -22 | -4 | 14 | 32 | 50 | 68 | 86 | 104 |
| C* | -30 | -20 | -10 | 0 | 10 | 20 | 30 | 40 |

OPERATION OF YOUR ATV

Pre-Ride Inspection

Before each use of the vehicle, a best practice is to check the vehicle according to the “Perform daily before operating the vehicle” checklist in maintenance sheet.

WARNING

If a proper inspection is not done before each use, severe damage to the vehicle, severe injury, or death could result. Always inspect the vehicle before each use to ensure it is in proper operating condition.

Starting the Engine

Starting a Cold Engine

WARNING


Engine exhaust contains poisonous carbon monoxide and can cause loss of consciousness resulting in severe injury or death. Never run an engine in an enclosed area.

CAUTION

Operating the vehicle immediately after starting could cause engine damage. Allow the engine to warm up for several minutes before operating the vehicle.

If the vehicle can not be started immediately, do not activate the starting system continuously. Failure to start the ignition system multiple times may cause the starting motor to burn out.

Starting a Cold Engine

1. Verify the gear selector is shifted to the Parking or Neutral position.
2. Apply the foot brake.
3. Turn the engine stop switch and main key switch to “ ” (ON)
4. Verify the throttle is completely closed, then push the start switch on the left-hand control.
5. Once the engine starts, continue to warm the engine for a short period before operating the vehicle.

OPERATION OF YOUR ATV

NOTE:

Do not activate the starting system more than 10 seconds on each attempt. If the engine fails to start, release the start switch, pause a few seconds before the next attempt, then push the start switch again. Each attempt should be as short as possible to preserve battery energy.

| |
|--|
|  CAUTION |
| Operating the vehicle immediately after starting could cause engine damage. Allow the engine to warm up for a short period before operating the vehicle. |

NOTE:

The engine can be started in any gear if the brake is applied. However, a best practice is to shift into Neutral or Park before starting the engine. If the neutral indicator light on the dashboard does not come on when the gear selector is in neutral position, ask your dealer to inspect the vehicle electrical circuit or adjust the gear shifting system.

| |
|--|
|  WARNING |
| Excessive throttle operation while in speed limit mode may cause fuel to build in the exhaust, resulting in engine popping and/or engine damage. |

OPERATION OF YOUR ATV

Gear Selector Operation

Shifting

CAUTION

To avoid transmission damage, return the throttle to the closed position, stop the vehicle, and apply the foot brake before shifting.

NOTE:

Low gear is the preferred transmission gear selection for all forward motion other than prolonged high speed travel.



1: Gear selector

Shifting out of Park

1. Verify the throttle is closed.
2. Apply the foot brake.
3. Shift to the desired gear by moving the gear selector along the shift guide.

Shifting: Neutral to High Gear

1. Verify the throttle is closed and the vehicle is stopped completely.
2. Apply the foot brake.
3. Shift to 'H' by moving the gear selector along the shift guide.

Shifting: High Gear to Low Gear

1. Verify the throttle is closed and the vehicle is stopped completely.
2. Apply the foot brake.
3. Shift to 'L' by moving the gear selector along the shift guide.

OPERATION OF YOUR ATV

Shifting: Low Gear to High Gear

1. Verify the throttle is closed and the vehicle is stopped completely.
2. Apply the foot brake.
3. Shift to 'H' by moving the gear selector along the shift guide.

Shifting: to Reverse Gear

1. Verify the throttle is closed and the vehicle is stopped completely.
2. Apply the foot brake.
3. Shift to 'R' by moving the gear selector along the shift guide.
4. Check behind you for people or obstacles, then release the foot brake pedal.
5. Apply the throttle lever gradually and continue to watch behind you while moving backward.

| |
|--|
|  WARNING |
|--|

| |
|--|
| When you shift into reverse, make sure there are no obstacles or people, and the area is safe behind you. When it is safe to proceed, go slowly. |
|--|

Shifting: Reverse to Park

1. Verify the throttle is closed and the vehicle is stopped completely.
2. Apply the foot brake.
3. Shift to 'P' by moving the gear selector along the shift guide.

OPERATION OF YOUR ATV

NOTE:

The gear selector must not be shifted into reverse gear without applying the foot brake.

The gear shift indicators should display corresponding to the actual gear position, if the indicator does not display, ask your dealer to inspect the vehicle electrical circuit or adjust the gear shifting system.

Due to the synchronizing mechanism in the engine, an indicator may not display until ATV starts moving.

Do not use high gear for continuous slow speed travel or towing, as this can lead to excessive heating of the clutch system, which may damage components.

OPERATION OF YOUR ATV

Hauling and Towing Cargo

Your vehicle is equipped with front and rear cargo racks, and a hitch receiver for towing. Follow these guidelines for hauling and towing of cargo:

| |
|--|
|  WARNING |
|--|

| |
|--|
| Overloading the vehicle, carrying or towing cargo improperly, can alter the vehicle handling and may cause loss of control or braking instability. |
|--|

- Always use low gear while towing to avoid clutch wear and belt issues.
- Reduce speed when hauling or towing loads.
- Never exceed the stated load capacity for this vehicle.
- All loads must be secured before operation. Unsecured loads may shift and create unstable operating conditions, which could result in loss of control of the vehicle.
- When operating over rough or hilly terrain, reduce speed and cargo to maintain stable driving conditions.
- Use extreme caution when applying brakes with a loaded vehicle. Avoid terrain or situations that may require backing downhill.
- Weight distribution on the front and rear racks should be as far forward and as low as possible. Carrying a high load raises the center of gravity and creates an unstable operating condition. Reduce load weight when the cargo center of gravity is high. When handling off-centered loads that cannot be centered, secure the load and operate with extra caution.

OPERATION OF YOUR ATV

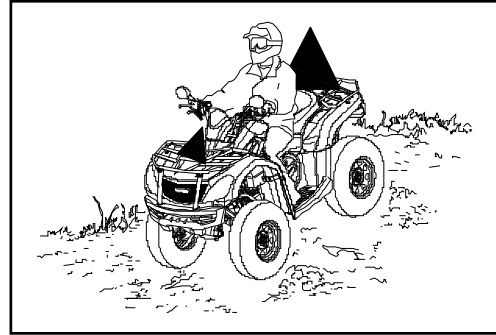
- When operating with loads extending beyond the rack. Stability and maneuverability may be adversely affected, causing the machine to overturn.
- Carrying a load on only the front rack or the rear rack may cause an imbalanced condition and increases the possibility of vehicle overturn. Balance loads proportionally between the front rack and the rear rack, but do not exceed the stated load capacity.
- Do not obstruct the headlights when loading the front rack.
- Always attach to the towable using the hitch point. Never exceed the recommended tongue weight.
- Using chains, straps, rope or other materials to tow objects is not recommended, as these items could get caught in the rear wheels, resulting in vehicle damage or personal injury.
- While towing, the vehicle should never exceed 10 mph (16 km/h) towing a load on a level surface. Vehicle speed should never exceed 5 mph (8 km/h) when towing loads in rough terrain, while cornering, or while ascending or descending a hill.

OPERATION OF YOUR ATV

Load Distribution

Your ATV has been designed to carry or tow a certain amount of load. Always:

- Read and understand the load distribution warnings listed on the warning labels.
- Never exceed the specified weights.
- Cargo weight should be mounted as low as possible.
- Cargo should be loaded on the racks as far forward as possible.
- When operating over rough or hilly terrain, reduce speed and cargo to maintain stable driving conditions.



OPERATION OF YOUR ATV

Driving Safely

Responsibilities of the operator

As the operator of this ATV, your common sense, judgement, and abilities are the only factors that will prevent injury to yourself, to others around you, and/or damage to the vehicle or environment.

Recreational, group, and distance riding

One of the benefits of this vehicle is that it can take you off-road away from most communities. Stay away from areas designated for other types of off-road use unless it is specifically allowed. This includes snowmobile trails, equestrian trails, cross country ski trails, mountain bike trails, etc. Join a local ATV club. A club can provide you with a map and advice, or inform you about areas where you can ride.

Always keep a safe distance from other riders ahead of you and behind you when riding in a group. Never operate carelessly or make unexpected maneuvers with other ATVs close by. Stay on designated trails and riding areas, and discourage others from operating in unauthorized locations.

Environment

Off-road ATV recreation is a privilege. Maintain your privilege by respecting the environment and the rights of others to enjoy it. Chasing wildlife is illegal. Wildlife can die of exhaustion if chased by a motorized vehicle. Never purposely damage the terrain unless the operating area is designated for that type of activity. Observe the rule... "what you take in, carry out". Do not litter.

OPERATION OF YOUR ATV

Practice!

The driving procedures described in this manual should be practiced at slow speed many times in a large area with no obstacles. If an incorrect technique is used, your ATV may continue to go straight. If the ATV does not turn, come to a stop and then practice the procedure again. If the riding surface is slippery or loose, it may help to transfer more of your weight to the front wheels by moving forward on the seat. Once you have learned the proper techniques, you should be able to perform maneuvers at higher speeds or in tighter curves.

Improper driving procedures such as abrupt throttle changes, excessive braking, incorrect body movements, or too much speed for the sharpness of the turn may cause the ATV to tip. If the ATV begins to tip over to the outside while negotiating a turn, lean more to the inside. It may also be necessary to gradually let off on the throttle and steer to the outside of the turn to avoid tipping over.

Remember: Avoid higher speeds until you are thoroughly familiar with the operation of your ATV.

NOTE:

Low gear is the preferred transmission gear selection for all forward motion other than prolonged high speed travel. Do not use high gear for continuous slow speed travel or towing, as this can lead to excessive heating of the clutch system, which may damage components.

OPERATION OF YOUR ATV

Driving Procedure

1. Sit upright with both feet on the footrests and both hands on the handlebars.
2. Start the engine and allow it to warm up. Apply the foot brake, then shift the transmission into low gear.
3. Check your surroundings and determine your path of travel.
4. Release the brakes.
5. Slowly press the throttle with your right thumb and begin driving. Vehicle speed is controlled by the amount of throttle opening.
6. Drive slowly. Practice maneuvering while using the throttle and brakes on a level surface.



OPERATION OF YOUR ATV

Making Turns

To make a turn, steer in the direction of the turn, leaning your upper body to the inside of the turn while supporting your weight on the outer footrest. This technique alters the balance of traction between the wheels, allowing turn to be made smoothly. The same leaning technique should be used for turning in reverse.

NOTE:

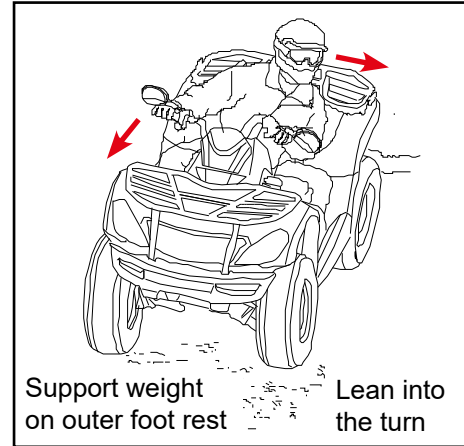
Practice making turns at slow speeds before attempting to turn at faster speeds.

WARNING

Turning at sharp angles or at excessive speeds can result in vehicle overturn and lead to serious injury.

Avoid turning at sharp angles.

Never make turns at high speeds.



OPERATION OF YOUR ATV

ATV Turning Dynamics

To achieve maximum traction while operating in 2WD or 4WD, the two rear wheels perform as one axle and turn together at the same speed. Furthermore, when operating in 4WD-LOCK mode, the front wheels will also turn together at the same speed. Therefore, unless the wheel on the inside of the turn is allowed to slip or lose some traction, the ATV will resist turning. The special turning technique described in this manual must be used to allow the ATV to make turns quickly and easily. It is essential that this skill be learned first at low speed.

Turning On Curves

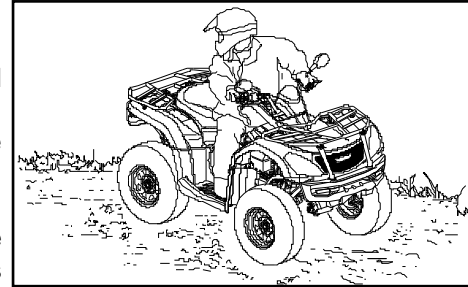
As you approach a curve, slow down and begin to turn the handlebars in the desired direction. As you do so, put your weight on the footboard to the outside of the turn (opposite the desired direction) and lean your upper body into the turn. Use the throttle to maintain an even speed through the turn. This maneuver will let the wheel on the inside of the turn slip slightly, allowing the ATV to maneuver the turn properly.

OPERATION OF YOUR ATV

Driving In Reverse

To operate in reverse:

1. Ensure the throttle is closed and the vehicle is stopped completely.
2. Apply the foot brake, then shift the transmission into reverse gear.
3. Check for obstacles or people behind the vehicle.
4. When it's safe to proceed, release the brakes, slowly press the throttle with your right thumb, and back slowly. Vehicle speed is controlled by the amount of throttle opening.



NOTE:

Your ATV is equipped with a reverse speed limiter. The override button cannot be used. Do not operate at wide open throttle. Open the throttle just enough to maintain a desired speed.

Follow these precautions when operating in reverse:

- Always avoid backing downhill.
- Back slowly.
- When in reverse, apply the brakes lightly for stopping.
- Avoid turning at sharp angles in reverse.
- Never open the throttle suddenly while backing.

WARNING

Failure to use caution when operating in reverse can result in serious injury or death.

OPERATION OF YOUR ATV

Driving On Slippery Surfaces

Whenever riding on slippery surfaces such as wet trails, loose gravel, sand, or during freezing weather, follow these precautions:

- Slow down when entering slippery areas.
- Maintain a high level of alertness, reading the trail and avoiding quick, sharp turns which can cause skids.
- Correct a skid by turning the handlebars in the direction of the skid and shifting your body weight forward.
- Driving with 4WD engaged can assist in controlling the vehicle in slippery areas.



⚠ CAUTION

Severe damage to drive train may occur if the 4WD is engaged while the wheels are spinning.

Always engage 4WD when the wheels have traction or are at rest.

⚠ WARNING

Failure to exercise care when operating on slippery surfaces can result in loss of tire traction and cause loss of control, an accident, and serious injury or death. Never apply the brakes during a skid. Do not operate on excessively slippery surfaces. Always reduce speed and use additional caution.

OPERATION OF YOUR ATV

Driving On Rough Terrain

Whenever driving on rough surfaces such as trails with large rocks or other obstacles, follow these precautions:

- Slow down when encountering rough terrain.
- Maintain a high level of alertness, reading the trail in front of you as you drive. Avoid quick, sharp turns which can cause a loss of control.
- Shift your body weight to counteract the weight of the vehicle if it tips to one side.
- Driving with 4WD or 4WD-LOCK engaged can assist in controlling the vehicle.



OPERATION OF YOUR ATV

Driving Over Obstacles

Be alert! Learn to look ahead and to read the terrain as you drive. Be constantly alert for hazards such as logs, rocks, and low hanging branches.

Never attempt to cross over an obstacle higher than the ground clearance of the vehicle.

| |
|---|
| ⚠ WARNING |
| Severe injury or death can result if your vehicle comes in contact with obstacles. Travel with caution on unfamiliar terrain. |



OPERATION OF YOUR ATV

Driving Through Water

Your ATV can operate through water with a maximum recommended depth equal to the bottom of the footrests. Follow these procedures when operating through water:

- Determine water depths and current before crossing.
- Choose a crossing where both banks have gradual inclines.
- Proceed slowly, avoiding rocks and obstacles if possible.
- After crossing, dry the brakes by applying light pressure to the lever until braking action is normal.



WARNING

Avoid operating the vehicle through deep or fast-flowing water. If you cannot avoid water that exceeds the recommended maximum depth, go slowly, balance your weight carefully, avoid sudden movements, and maintain a slow and steady forward motion. Do not make sudden turns or stops, and do not make sudden throttle changes.

OPERATION OF YOUR ATV

Drying The CVT System After Submersion

If water has been ingested into the CVT housing, the drive belt will likely slip and poor performance will result. To expel water and dry the CVT housing:

- Drain the CVT housing.
- Place the vehicle in neutral, and raise the engine rpm for several minutes to dry the CVT components.
- Release the throttle and shift into low gear, then test the performance of the vehicle.
- Repeat as necessary until you are satisfied all the water has been expelled. Contact your dealer if vehicle performance issues continue.

NOTE:

After running the vehicle in water, it is critical to have the vehicle serviced as outlined in the maintenance schedule. The following areas need special attention: engine oil, front and rear gear cases and all grease locations. If your vehicle becomes immersed, and it's impossible to take it to your dealer before starting it, follow the steps described in this manual to remove water from the air box and engine.

| |
|--|
|  CAUTION |
|--|

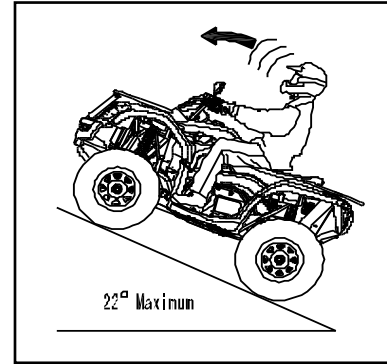
| |
|---|
| Major engine damage can result if the vehicle is not thoroughly inspected after operation in water. If water has been ingested into the CVT housing, follow the procedure in this manual for drying out the CVT clutch system. Have the vehicle serviced by your dealer promptly if your vehicle becomes immersed or stalls in water that exceeds the footrest level. It is important to contact your dealer for service before starting the engine, as water may have been ingested in the air box and engine. |
|---|

OPERATION OF YOUR ATV

Driving Uphill

Whenever traveling uphill, follow these precautions:

- Always travel straight uphill.
- Never operate on hills over 22° degrees incline or hills too steep for your abilities.
- Keep both feet on the footrests.
- Shift your weight forward.
- Proceed at a steady rate of speed and throttle opening.
- Remain alert and be prepared to take emergency action. This may include quick dismounting of the vehicle.



If all forward speed is lost:

Keep your weight uphill and release the throttle.

Apply the front brake. When fully stopped, apply the foot brake and shift the gear selector to the parking position.

OPERATION OF YOUR ATV

If the ATV begins rolling backwards:

Keep your weight uphill. Never apply engine power. Never apply the foot brake while rolling backwards.

Apply the front brake. When fully stopped, apply the foot brake, and then shift gear selector into the parking position.

Dismount on uphill side, or to either side if ATV is pointed straight uphill. Turn the ATV around and remount following the K-turn procedure described in this manual.

WARNING

Braking and handling are greatly affected when operating in hilly terrain. Improper procedure could cause loss of control or overturn and result in serious injury or death.

Avoid climbing steep hills (22° maximum).

Use extreme caution when operating on hills, and follow proper operating procedures outlined in the owner's manual.

OPERATION OF YOUR ATV

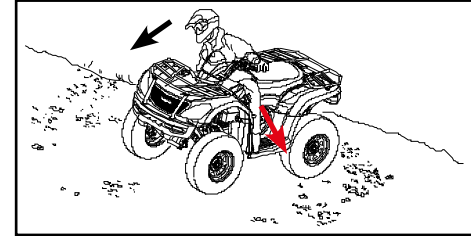
Sidehilling

WARNING

Improperly crossing hills or turning on hills can result in loss of control or vehicle overturn, resulting in severe injury or death. Avoid crossing the side of a hill when possible. Follow the proper procedures as outlined in the owner's manual.

Sidehilling can be a dangerous type of driving and should be avoided if at all possible. If you do enter into a situation where sidehilling is necessary, follow these precautions:

- Slow down.
- Lean into the hill, transferring your upper body weight toward the hill while keeping your feet on the footrests.
- Steer slightly into the hill to maintain vehicle direction.



CAUTION

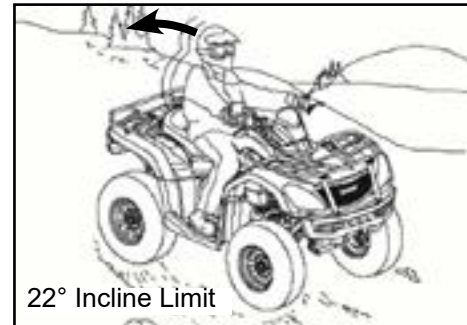
If the vehicle begins to tip, quickly turn the front wheels downhill if possible, or dismount on the uphill side immediately.

OPERATION OF YOUR ATV

Driving downhill

When traveling down a hill, follow these precautions:

- Never operate on hills over 22 degrees incline or hills too steep for your abilities.
- Slow down.
- Shift your weight to the rear of the vehicle.
- Always travel directly downhill.
- Apply the brakes lightly to aid in slowing. Familiarize yourself with operation of the braking functions during downhill descents.
- Driving with 4WD or 4WD-LOCK engaged can assist in controlling the vehicle.



⚠️ WARNING

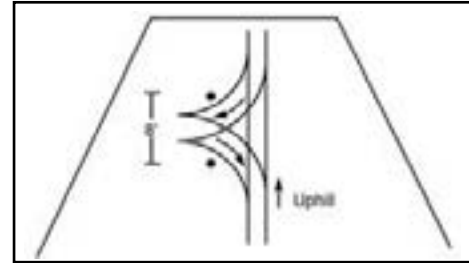
Excessive downhill speed can cause loss of control and lead to serious injury or death. Always reduce speed when traveling downhill.

OPERATION OF YOUR ATV

Turning Around on a Hill

One maneuver that can be used when it's necessary to turn around if stranded while climbing a hill is the K-turn:

1. Release the throttle, then apply the hand and foot brake while keeping your body weight uphill.
2. Shift the gear selector lever to the low gear position. Shut off the engine.
3. Keeping the hand brake applied, dismount on the right side of the vehicle if the vehicle is pointed straight uphill.



NOTE: Always dismount on the uphill side when the vehicle is pointed in a direction other than uphill.

4. Keeping the hand brake applied, move uphill (in front) of the vehicle, and pull on the right handle bar to turn the steering full left (front brake will now be closest to you).
5. Slowly release the hand brake lever, and use it to control the descent of the vehicle, which will roll downhill and to your right (as viewed from the vehicle front) until it's pointing across the hill or slightly downward. The vehicle's rolling weight is neutralized. and vehicle remount is now possible.
6. Remount the vehicle from the uphill side and shift the gear selector lever to the parking position, keeping your body weight uphill. Keep the hand brake or foot brake applied at all times if possible.
7. Restart the engine. Press the foot brake, and shift the gear selector lever to low gear position.
8. Release the brakes and proceed slowly downhill, controlling speed with the brakes, until the vehicle is on more level ground.

OPERATION OF YOUR ATV

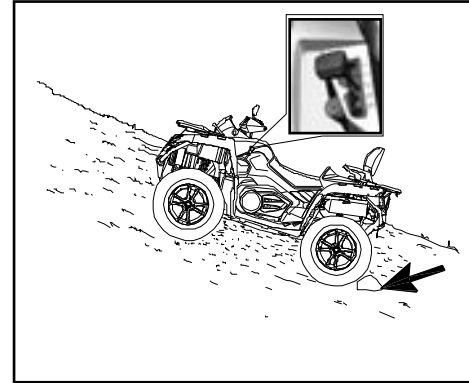
Parking on an Incline

Avoid parking on an incline if possible. If it's unavoidable, follow these precautions:

- Turn the engine off.
- Place the gear selector to parking position.
- Always block the rear wheels on the downhill side as shown.

CAUTION

If parked on an incline, drivetrain rotating forces may cause difficult transmission shifting out of park. Rocking the vehicle forward or backward while shifting will help avoid component damage.



Crossing paved surfaces

Your ATV is not designed for paved surfaces and is more likely to tip over. Do not travel on sidewalks or bicycle lanes, as they are not designated for ATV use. If you must drive on a paved surface, reduce speed and avoid sudden turns, acceleration, or braking. If you have to cross a paved road, ensure you have complete visibility in both directions for oncoming traffic, and determine your exit point on the other side. Drive in a straight line toward that point. Do not make sharp direction changes or abrupt accelerations, as it may result in a tip over situation.

MAINTENANCE

Maintenance

Following the maintenance schedule in your owner's manual will help keep your vehicle in the safest, most reliable condition. Inspection, adjustment, and lubrication of important components are explained in the maintenance schedules.

Inspect, clean, lubricate, adjust, and replace parts as necessary. When inspection reveals the need for replacement parts, please use genuine parts available from your dealer.

Severe Use Definition

CFMOTO defines severe vehicle use as:

- Frequent immersion in mud, water or sand
- Racing or race-style high RPM use
- Prolonged low speed, heavy load operation
- Extended engine idle
- Short trip, cold weather operation
- Vehicles used in commercial operations

For vehicles that are subjected to severe use, reduce all maintenance and service intervals by 50%.

NOTE:

Periodic service and adjustments are critical. If you are not familiar with performing safe service and adjustment procedures, have a qualified dealer perform the required maintenance for you.

MAINTENANCE

NOTE:

Pay special attention to the engine oil level during cold weather operation. A rise in engine oil level can indicate contaminants collecting in the oil sump or crankcase. Change oil immediately if the oil level begins to rise. Monitor the oil level, and if it continues to rise, discontinue use and determine the cause, or see your dealer.

Periodic Maintenance Schedule / Icon Key

Maintenance intervals in the following schedules are based upon average riding conditions and an average operating speed of approximately 12.4 mph (20 km/h). Vehicles subjected to severe or commercial use must be inspected and serviced more frequently.

The following icon keys are used to note special circumstances:

- ▶ = Severe Use Item. Reduce interval by 50% on vehicles subjected to severe use.
- = Have an authorized dealer perform repairs that involve this component or system.
- = Emissions related components. Have an authorized dealer perform repairs that involve this component or system.

| |
|------------------|
| ⚠ WARNING |
|------------------|

| |
|---|
| Procedures marked as '■' means if repair is required, have an authorized dealer perform repairs that involve this component or system. Improperly performing the procedure could result in component failure and lead to serious injury or death. |
|---|

MAINTENANCE

KEY POINTS OF LUBRICATION SCHEDULE:

Check all components at the intervals outlined in the Periodic Maintenance Schedule. Items not listed in the schedule should be lubricated at the general lubrication interval.

- Change lubricants more often under severe use, such as wet or dusty conditions.
- Use All Season Grease on pivot points.
- Lubricate every 500 miles (800 km), before long periods of storage, after pressure washing, or after submerging drive system.

| Item | Lubricant | Method |
|-----------------------------------|--------------------------------------|---|
| Engine oil | SAE 10W-40 SAE 5W-40 / SAE 15W-40 | Unscrew, clean, insert and pull out dipstick to check oil level |
| Transmission oil | SAE75W-90 GL-5 | Unscrew, clean, insert and pull out dipstick to check oil level |
| Brake fluid | DOT4 | Keep level between upper and lower lines |
| Front gear case oil | SAE80W-90 GL-5 | Oil capacity: 7.8 oz. (230mL) |
| Rear gear case oil | SAE80W-90 GL-5 | Oil capacity: 13.5 oz. (400mL) |
| Suspension pivots and drive train | All Season Grease | Grease gun - Pump grease until it begins to flow from the pivot point |

MAINTENANCE

Pre-Ride Maintenance Checklist

Perform these inspections before operating the vehicle:

| Item | | Maintenance before operation | | | Remarks |
|------|--------------------------------------|------------------------------|----------|------------|--|
| | | Hour | Calendar | Miles (km) | |
| ■ | Steering system | - | Pre-Ride | - | Visually inspect, test, or check components. Make adjustments and/or schedule repairs when required. |
| ■ | Throttle return | - | Pre-Ride | - | |
| | Front suspension and axles | - | Pre-Ride | - | |
| | Rear suspension and axles | - | Pre-Ride | - | |
| | Tires | - | Pre-Ride | - | |
| | Brake fluid level | - | Pre-Ride | - | |
| | Brake lever / foot brake function | - | Pre-Ride | - | |
| | Brake system function | - | Pre-Ride | - | |
| | Wheels / fasteners | - | Pre-Ride | - | |
| | Engine oil level | - | Pre-Ride | - | |
| ▶ | Air filter / Air box and connections | - | Pre-Ride | - | Visually inspect. Replace filter when dirty. |

▶ = Severe Use Item. Inspect frequently on vehicles subjected to severe use.

■ = Have an authorized dealer perform repairs that involve this component or system.

● = Emissions related components. Have an authorized dealer perform repairs that involve this component or system.

MAINTENANCE

| Item | | Maintenance before operation | | | |
|------|--|------------------------------|----------|------------|--|
| | | Hour | Calendar | Miles (km) | Remarks |
| ▶ | Air box sediment tube | - | Pre-Ride | - | Inspect. If deposits are visible, clean intake tubes, air box, and replace air filter. |
| ▶ | CVT sediment tube | - | Pre-Ride | - | Inspect. If deposits are visible, drain / clean the CVT or have it serviced by a dealer. |
| ■ | Headlight aim / General lighting and turn indicators (if equipped) | - | Pre-Ride | - | Inspect. Adjust or replace lights when necessary. |
| ▶ | Radiator | - | Pre-Ride | - | Inspect for mud or debris blocking airflow. Clean surfaces when necessary. |

▶ = Severe Use Item. Inspect frequently on vehicles subjected to severe use

■ = Have an authorized dealer perform repairs that involve this component or system.

● = Emissions related components. Have an authorized dealer perform repairs that involve this component or system.

MAINTENANCE

Break-In Maintenance Checklist

Perform these maintenance items when the vehicle break-in is completed:

| Item | | Break-in Maintenance (Perform at the interval that arrives first) | | | |
|------|--|--|----------|------------|---|
| | | Hour | Calendar | Miles (km) | Remarks |
| | General lubrication | 20 | - | 200 (320) | Lubricate all grease points, pivots, cables, etc. |
| | Engine oil / oil filter / oil strainer | 20 | - | 200 (320) | Change oil and filter. Clean oil strainer. |
| ▶ | Engine air filter | 20 | - | 200 (320) | Inspect. replace if dirty. do not clean |
| ■ | Engine valve clearance | 20 | - | 200 (320) | Check and adjust as necessary. |
| | Front / Rear gear case oil | 20 | - | 200 (320) | Check level. Inspect for leaks. |
| | Coolant | 20 | - | 200 (320) | Check level. Inspect for leaks. |
| ▶ | Brake pads | 20 | - | 200 (320) | Inspect pad thickness. |

▶ = Severe Use Item. Reduce interval by 50% on vehicles subjected to severe use.

■ = Have an authorized dealer perform repairs that involve this component or system.

● = Emissions related components. Have an authorized dealer perform repairs that involve this component or system.

MAINTENANCE

| Item | | Break-in Maintenance (Perform at the interval that arrives first) | | | |
|------|-----------------------------------|--|----------|------------|---|
| | | Hour | Calendar | Miles (km) | Remarks |
| | Battery | 20 | - | 200 (320) | Check terminals, clean, test battery condition if required. |
| ■ | Idle condition | 20 | - | 200 (320) | Inspect for proper rpm. See dealer for service if out of spec or erratic. |
| ■ | Steering / Wheel Alignment | 20 | - | 200 (320) | Inspect steering system. See dealer for service if wheel alignment is required. |
| ▶ | Foot brake / Hand brake | 20 | - | 200 (320) | Inspect function. Adjust as necessary. |
| | Gear cases, CV shafts, Propshafts | 20 | - | 200 (320) | Inspect for leaks. |
| | Engine hoses, gaskets and seals | 20 | - | 200 (320) | Inspect for leaks. |

▶ = Severe Use Item. Reduce interval by 50% on vehicles subjected to severe use.

■ = Have an authorized dealer perform repairs that involve this component or system.

● = Emissions related components. Have an authorized dealer perform repairs that involve this component or system.

MAINTENANCE

Periodic Maintenance Schedule

Perform these maintenance items when the vehicle break-in is completed:

| Item | | Periodic Maintenance Intervals (Perform at the interval that arrives first) | | | |
|------|---------------------------------------|--|----------|------------|---|
| | | Hour | Calendar | Miles (km) | Remarks |
| ▶ | Brake pads | 10 | Monthly | 100 (160) | Inspect pad thickness. |
| | Battery | 20 | -- | 200 (320) | Check terminals. Clean and test battery condition as necessary. |
| | Engine hoses, gaskets and seals | 20 | - | 200 (320) | Inspect for leaks. |
| ▶ | Air filter | 50h | -- | 500 (800) | Always inspect pre-ride. Inspect frequently if subjected to severe use. Replace if dirty. Do not clean. |
| ▶ | CVT air intake filter screen / filter | 50h | - | 500 (800) | Clean filter screen or filter, replace with new one if necessary. |
| ▶ | General lubrication | 50h | 3M | 500 (800) | Lubricate all fittings, pivots, cables, etc. |

▶ = Severe Use Item. Reduce interval by 50% on vehicles subjected to severe use.

■ = Have an authorized dealer perform repairs that involve this component or system.

● = Emissions related components. Have an authorized dealer perform repairs that involve this component or system.

MAINTENANCE

| Item | | Periodic Maintenance Intervals (Perform at the interval that arrives first) | | | |
|------|--|--|----------|-------------|---|
| | | Hour | Calendar | Miles (km) | Remarks |
| ▶ | Front gear case oil | 100h | 12M | 1000 (1600) | Inspect level. Change yearly if hours or distance interval is not met. |
| ▶ | Rear gear case oil | 100h | 12M | 1000 (1600) | Inspect level. Change yearly if hours or distance interval is not met.. |
| ▶ | Engine oil / oil filter / oil strainer | 100h | 12M | 1000 (1600) | Inspect for color change. Change if dirty and clean strainer. Change yearly if hours or distance interval is not met. |
| | Cooling system | 50h | 6M | 500 (800) | Test coolant strength. Pressure test system yearly. |

▶ = Severe Use Item. Reduce interval by 50% on vehicles subjected to severe use.

■ = Have an authorized dealer perform repairs that involve this component or system.

● = Emissions related components. Have an authorized dealer perform repairs that involve this component or system.

MAINTENANCE

| Item | | Periodic Maintenance Intervals (Perform at the interval that arrives first) | | | |
|------|--------------------------------|--|----------|------------|--|
| | | Hour | Calendar | Miles (km) | Remarks |
| ▶ | Radiator | 50h | 6M | 500 (800) | Inspect. clean external surfaces. Clean more frequently if subjected to severe use. |
| ■ | Steering system | 50h | 6M | 500 (800) | Inspect. Lubricate. |
| ▶ | Front suspension | 50h | 6M | 500 (800) | Lubricate. Check fasteners. |
| ▶ | Rear suspension | 50h | 6M | 500 (800) | Lubricate. Check fasteners. |
| ▶ | Gear shift | 50h | 1M | 500 (800) | Inspect, lubricate, adjust as necessary. |
| ▶ ■ | Throttle body / throttle cable | 50h | 6M | 500 (800) | Inspect. Clean carbon deposits. Inspect cable and lubricate frequently if subjected to severe use. |

▶ = Severe Use Item. Reduce interval by 50% on vehicles subjected to severe use.

■ = Have an authorized dealer perform repairs that involve this component or system.

● = Emissions related components. Have an authorized dealer perform repairs that involve this component or system.

MAINTENANCE

| Item | | Periodic Maintenance Intervals (Perform at the interval that arrives first) | | | |
|------|------------------------------|--|----------|-------------|--|
| | | Hour | Calendar | Miles (km) | Remarks |
| ▶ ■ | CVT drive belt | 100h | 12M | 1000 (1600) | Inspect. Replace as necessary. See dealer for service. |
| ■ | CVT drive and driven pulleys | 100h | 12M | 1000 (1600) | Clean and Inspect pulleys. Replace worn parts. See dealer for service. |
| | Fuel filter and hoses | 100h | 24M | 2000 (3200) | Inspect routing and condition. Replace filter and high-pressure hoses every 4 years. |
| | Cooling hoses | 100h | -- | 1000 (1600) | Inspect routing and condition. |
| ▶ | Valve clearance | 100h | -- | 2000 (3200) | Inspect and adjust as necessary. See dealer for service. |

▶ = Severe Use Item. Reduce interval by 50% on vehicles subjected to severe use.

■ = Have an authorized dealer perform repairs that involve this component or system.

● = Emissions related components. Have an authorized dealer perform repairs that involve this component or system.

MAINTENANCE

| Item | | Periodic Maintenance Intervals (Perform at the interval that arrives first) | | | |
|------|---|--|----------|-------------|---|
| | | Hour | Calendar | Miles (km) | Remarks |
| ● | Fuel system | 100h | 12M | 500 (800) | Inspect fuel tank, cap, fuel pump and fuel pump relay. |
| | Spark plug | 100h | 24M | 2000 (3200) | Inspect. Replace if worn or fouled. |
| ■ | Engine mounts | 100h | 12M | 1500 (2400) | Inspect condition. |
| | Exhaust pipe and spark arrestor | 100h | 12M | 500 (800) | Inspect. Clean spark arrestor. |
| ▶ | Wiring, fuses, connectors, relays, and cables | 100h | 12M | 1000 (1600) | Inspect wire routing for wear, security. Apply dielectric grease as necessary to connectors subjected to water, mud, etc. |

▶ = Severe Use Item. Reduce interval by 50% on vehicles subjected to severe use.

■ = Have an authorized dealer perform repairs that involve this component or system.

● = Emissions related components. Have an authorized dealer perform repairs that involve this component or system.

MAINTENANCE

| Item | | Periodic Maintenance Intervals (Perform at the interval that arrives first) | | | |
|------|----------------------------|--|----------|-------------|---|
| | | Hour | Calendar | Miles (km) | Remarks |
| ▶ ■ | Wheel bearings | 100h | 12M | 1500 (2400) | Inspect for noise or looseness. Replace as necessary. |
| ▶ | Safety Belts (if equipped) | 100h | 12M | 2000 (3200) | Visually inspect belts and test latches. Clean latch mechanism more often if used in severe conditions. |
| ▶ | Transmission oil | 200h | 12M | 2000 (3200) | Inspect level. Change yearly if hours or distance interval is not met. |
| | Coolant | 200h | 24M | 4000 (6400) | Change coolant every 2 years if hours or distance interval is not met. |

▶ = Severe Use Item. Reduce interval by 50% on vehicles subjected to severe use.

■ = Have an authorized dealer perform repairs that involve this component or system.

● = Emissions related components. Have an authorized dealer perform repairs that involve this component or system.

MAINTENANCE

| Item | | Periodic Maintenance Intervals (Perform at the interval that arrives first) | | | |
|------|----------------------------|--|----------|-------------|--|
| | | Hour | Calendar | Miles (km) | Remarks |
| ▶ | Brake fluid | 200h | 24M | 1000 (1600) | Inspect fluid for color change. Change fluid every two years. |
| | Idle condition | -- | 12M | -- | Inspect for proper rpm. See dealer for service if out of spec or erratic. |
| ■ | Steering / Wheel Alignment | -- | 12M | -- | Inspect steering system. See dealer for service whenever steering parts or wheel alignment are required. |
| ▶ | Foot brake height | -- | 12M | -- | Inspect. Replace brake pads or adjust height as required. |

▶ = Severe Use Item. Reduce interval by 50% on vehicles subjected to severe use.

■ = Have an authorized dealer perform repairs that involve this component or system.

● = Emissions related components. Have an authorized dealer perform repairs that involve this component or system.

MAINTENANCE

Maintenance Procedures

Engine Oil Check

Always check and change the engine oil at the intervals outlined in the Maintenance Schedule.

1. Place the ATV on a level surface.
2. Start the engine and let it idle for 20~30 seconds. Stop the engine.
3. Wait a short period for the oil to settle.
4. Remove access cover **1** by grasping the lower left portion and pulling firmly.

NOTE:

Access cover grommets may come loose. Ensure they are in place before reinstalling the cover.

5. Unscrew the oil dipstick **2** out and wipe off with a clean cloth.
6. Insert the dipstick back into the dipstick hole, making the dipstick threads contact the hole surface without installing it.
7. Remove the dipstick again and check the oil level indication. Maintain the oil level between the upper and lower indicators.
8. Reinstall the dipstick into the oil filler hole, hand-tighten it, and reinstall the access cover.

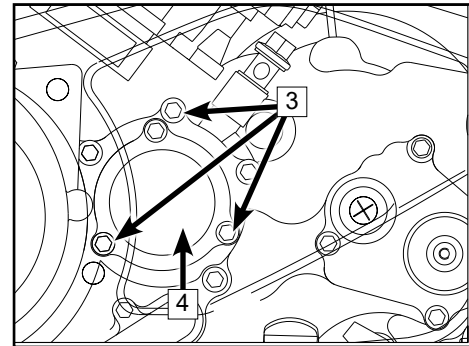
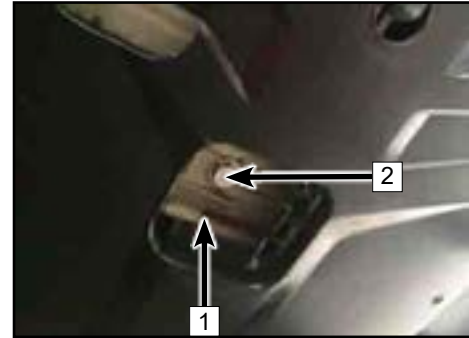


MAINTENANCE

Engine Oil and Filter Change

1. Ensure the vehicle is on level ground and in Park.
2. Start the engine and idle for (2~3) minutes to warm the oil, then stop the engine.
3. Place a pan under the engine (1) to collect the engine oil.
4. Remove the dipstick and wipe it clean.
5. Remove the crankcase magnetic drain bolt and washer (2) and drain out the oil.
6. Confirm the crankcase is drained completely.
7. Remove the three oil filter cover bolts (3-bottom image).
8. Remove the oil filter cover (4).
9. Inspect the o-ring (6) in the cover and ensure it is in good condition. Replace with a new one if damaged.
10. Install o-ring (6) into the oil filter cover, and apply a layer of fresh engine oil for lubricating.
11. Install a new oil filter (5).
12. Mount oil filter cover (4), then install and tighten the cover bolts to the specified torque.

Oil Filter Cover Bolt Torque: 7.3 ft-lb. (10N·m)



MAINTENANCE

- Clean any debris or contaminants from the magnetic drain bolt (2). Replace the washer with new one if damaged.
- Install the magnetic drain bolt and washer (2) and tighten to the specified torque.

Drain Bolt Torque: 18.5 ft-lb. (25 N·m)

- Use a dry and clean cloth to wipe the area around magnetic drain bolt.
- Add the recommended type of oil into oil dipstick hole until the level reaches the specified range.
- Verify the oil level is between the upper and lower mark with the dipstick, and adjust the oil level accordingly.

⚠ CAUTION

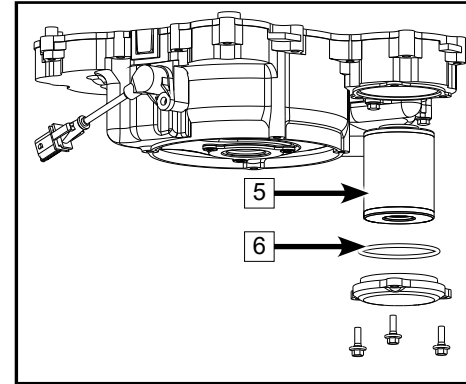
Too much or too little oil will have an impact on the normal operation of the engine. Make sure the oil is maintained between the upper and lower marks of the dipstick.

- Install and tighten the oil dipstick.
- Verify the vehicle is in Park, then start and idle the vehicle for 30 seconds.
- Inspect the engine for leaks after turning off engine. Contact your dealer if leaks are found.

⚠ WARNING

When changing engine oil, keep the vehicle turned off and in the Park position to avoid injury or death.

- Dispose the used oil and filter properly.



MAINTENANCE

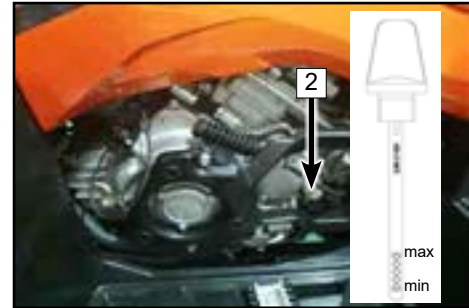
Transmission Oil

Always check and change the transmission oil at the intervals outlined in the Maintenance Schedule.

CFMOTO recommends the use of SAE 75W/90 GL-5 Transmission Fluid.

Oil check

1. Place the ATV on a level surface.
2. If the engine was running, wait a sufficient period for the oil to settle and cool.
3. Remove access cover **1** by grasping the lower left portion and pulling firmly.
4. Unscrew the oil dipstick **2** out and wipe off with a clean cloth.
5. Insert the dipstick back into the dipstick hole, make the dipstick threads contact the hole surface without screwing it.
6. Remove the dipstick again and check the oil level indication. Maintain the oil level between the upper and lower indicators.
7. Reinstall the dipstick into the oil filler hole, hand-tighten it, and reinstall the access cover.



MAINTENANCE

Transmission oil change

1. Place the ATV on a level surface.
2. If the engine was running, wait a sufficient period for the oil to settle and cool.
3. Place an oil pan under the dipstick housing drain bolt [1] to collect the used oil.
4. Remove the oil dipstick [2].
5. Remove the oil drain bolt [1] and drain the oil.
6. Place a new sealing washer on the oil drain bolt, then assemble and tighten the drain bolt to the specified torque.

Drain Bolt Tightening Torque: **18.4 ft-lb. (25 N•m)**.

NOTE: Remove oil dipstick [2] first to relieve pressure in the transmission cavity before removing the drain bolt [1].

7. Dispose the used oil properly.



MAINTENANCE

Engine Valvetrain Adjustment

The intake and exhaust valve clearances change with use of the vehicle, which can result in improper fuel/air supply or engine noise. To prevent this, the valve clearances must be adjusted according to the maintenance schedule. This adjustment should be performed by a professional service technician. Contact your dealer for service.

NOTE:

Intake Valve Clearance (cold engine): 0.003 in ~ 0.005 in. (0.08 mm ~ 0.12 mm)

Exhaust Valve Clearance (cold engine): 0.005 in ~0.007 in. (0.12 mm ~ 0.18 mm)

Engine Idle Speed

This vehicle is equipped with an electronic fuel injection system. There are no consumer provisions to adjust engine idle speed. The throttle body is a vital part of the fuel system which requires very sophisticated adjustment, and was set at the factory. If the settings are disturbed, poor engine performance and damage may result. Check engine idle speed for stability and contact your dealer for service if necessary. Contact your dealer in case of an abnormal engine idle condition.

NOTE:

Engine Idle Speed: 1300 +/- 130 Rpm (engine at operating temperature)

MAINTENANCE

Gear Case Oil

The front and rear gear cases must be checked for oil leaks and correct oil level before each ride. If a leak is found, contact your dealer for repair.

Rear gear oil level check

Because of its unique design, draining and filling the rear gear case is required to produce the correct oil level. Refer to “Rear gear case oil change”.

Rear gear case oil change

1. Place the vehicle on a level surface.
2. Place a container under the rear gear case to collect the used oil.
3. Remove oil fill bolt [1] and drain bolt [2] and drain the used oil.
4. Install and tighten drain bolt to the specified torque.

Drain Bolt Torque: **18.4 ft-lb. (25 N•m)**

5. Add recommended amount of gear oil into the rear gear case.

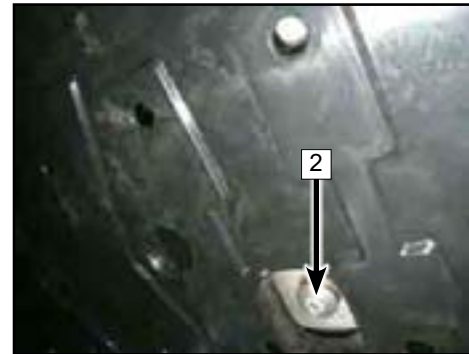
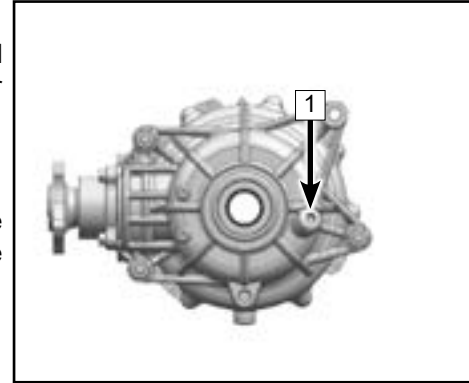
Oil Change Capacity: **13.5 oz (400 ml)**

6. Install and tighten filler bolt to the specified torque.

Fill Bolt Torque: **18.4 ft-lb. (25 N•m)**

7. Check for oil leaks. If an oil leak is found, check and repair it.

NOTE: Ensure no foreign material enters the gear case.



MAINTENANCE

Front gear case oil level check

1. Place the vehicle on a level surface.
2. Remove the oil filler plug **1** and check the oil level. The level should be up to the brim of the hole. If the level is low, add oil as necessary to raise it to the specified level.
3. Install the oil filler plug and tighten it to the specified torque.

Fill Bolt Torque: **18.4 ft-lb. (25 N•m)**

Front gear case oil change

1. Place the vehicle on a level surface.
2. Place a container under the front gear case to collect the oil.
3. Remove oil fill plug **1** and drain bolt **2** as shown to drain used oil.
4. Install the drain bolt and tighten it to the specified torque.

Drain Bolt Torque: **18.4 ft-lb. (25 N•m)**

5. Add recommended amount of gear oil into the gear case.

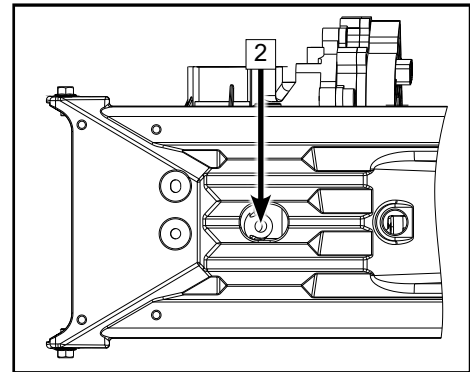
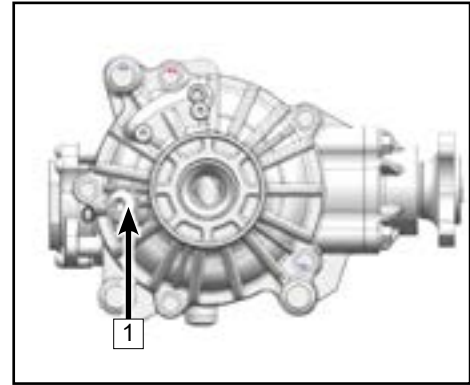
Oil Change Capacity: **7.7 oz. (230mL)**

6. Install the filler plug and tighten it to the specified torque.

Fill Bolt Torque: **18.4 ft-lb. (25 N•m)**

7. Check for oil leaks. If an oil leak is found, check and repair it.

NOTE: Ensure no foreign material enters the gear case.



MAINTENANCE

Cooling system

Coolant level check

1. Place the ATV on a level surface.
2. Coolant reservoir level indicator **1** is located on the front left of the vehicle. Check the coolant level in the reservoir when the engine is cold, as the coolant level will vary with engine temperature.

NOTE: Maintain coolant between the upper **3** and lower **4** limit marks.

3. If the coolant is at or below the lower limit mark, remove the front rack access panel and reservoir cap **2** then add coolant to the upper limit mark. Reinstall the reservoir cap, and the front rack access panel.

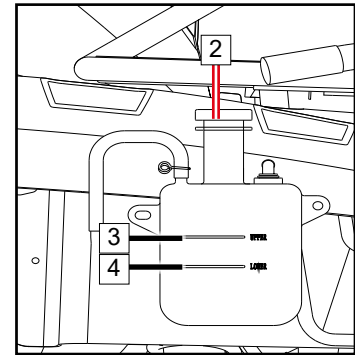
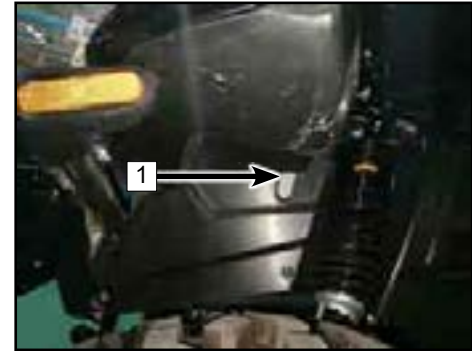
NOTE: Lowest capacity of coolant reservoir: 0.21 qt (0.2 L)

⚠ CAUTION

Add distilled water only. Hard water or salt water is harmful to the engine. Soft water is allowable if distilled water is not available.

⚠ CAUTION

If only water is added, have your dealer check the antifreeze content of the coolant as soon as possible. Radiator fan operation is automatically switched on or off according to the coolant temperature in the engine. Keep hands and clothing away from the fan.



- 2** Reservoir cap
- 3** Upper limit mark
- 4** Lower limit mark

MAINTENANCE

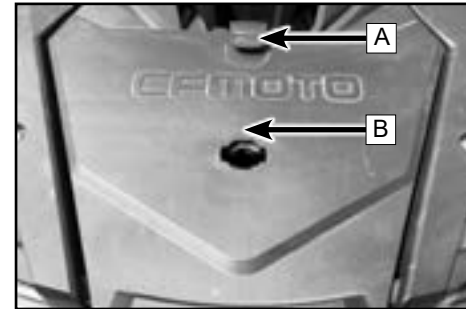
Front access cover

Remove the front access cover when inspection and maintenance is necessary of the radiator, coolant reservoir, brake fluid reservoir, relay box, and fuses.

Removal:

Remove the rubber grommet **A**

Take out the front access cover **B** toward the front of vehicle.



MAINTENANCE

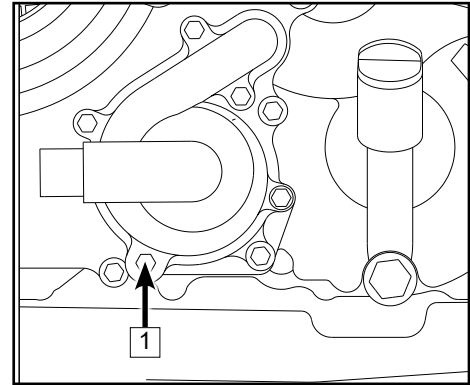
Changing the coolant

Draining:

⚠ CAUTION

Never remove the radiator cap immediately when the engine is hot. Wait for the engine to cool sufficiently before removing the radiator cap. Hot coolant can cause serious burns. .

1. Place the ATV on a level surface.
2. Remove the front access cover.
3. Remove the radiator cap.
4. Remove the coolant reservoir cap.
5. Place a container under the engine, and then remove:
 - The left engine cover.
 - The coolant drain bolt **1** (Use a trough or similar object to direct coolant into the container).
6. Disconnect the hose on the coolant reservoir side, then drain the coolant from the coolant reservoir.
7. After draining the system, thoroughly flush the cooling system with clean water. Allow the water to drain completely from the system.
8. Replace the coolant drain bolt washer if it is damaged, then install and tighten the coolant drain bolt, but do not torque to specification



MAINTENANCE

9. Install the coolant reservoir hose.
10. Fill the radiator with the recommended coolant until it is full. When filling coolant, at the same time loosen the drain bolt **1** in order to draw air from the coolant hose until steady coolant flows out, then tighten the drain bolt to specification.

Drain Bolt Torque: **7.3 ft-lb. (10 N•m)**

NOTE:

Recommended Antifreeze: Any high quality ethylene glycol antifreeze containing corrosion inhibitors for aluminum engines. CFMOTO recommended coolant freeze protection level: -35°C .

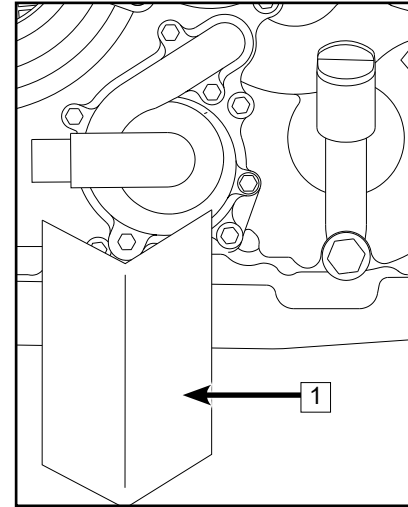
Antifreeze and distilled water mixing ratio: 1:1

Total Coolant Capacity (except coolant reservoir): 3.7L

Coolant Change (except coolant reservoir): 3.6L

Coolant Reservoir Capacity: Lower mark: 0.2L / Upper mark: 0.38L

Hard water or salt water is harmful to the engine. Use only distilled water to mix with coolant



MAINTENANCE

11. Place the vehicle on an uphill incline, then start the engine and let it idle for several minutes until the cooling fan activates. Stop the engine and allow it to cool. Check the coolant level in the radiator. If it is low, add more coolant until it reaches the top of the radiator. Repeat as necessary.
12. Install the radiator cap.
13. Fill the coolant reservoir with coolant to the upper limit.
14. Install the coolant reservoir cap and check for coolant leaks. If any leaks are found, have your dealer check the cooling system.
15. Install the panels and the front access cover.

| |
|--|
|  CAUTION |
|--|

| |
|--|
| If replacing with different coolant, please contact your dealer to completely remove the residual coolant. Different coolant colors / types may lead to component failure. |
|--|

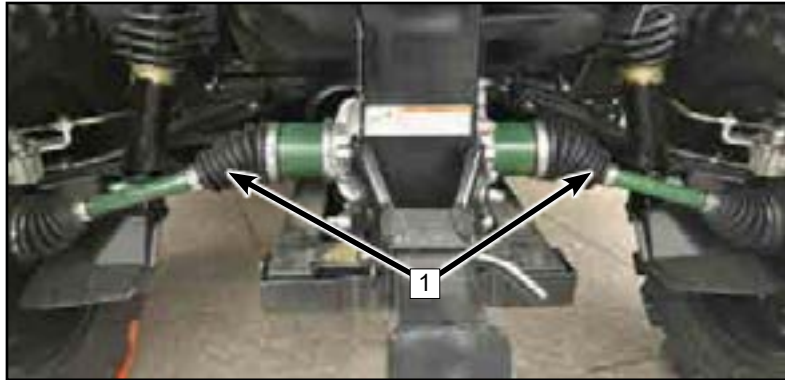
Radiator Cleaning

Clean the front and back external surfaces of the radiator if it is covered with mud or debris to ensure it continues to efficiently cooling the engine. Use only low pressure water to clean the radiator. High pressure washers can damage the cooling fins. Ensure that the water can flow can flow freely through the radiator fins. This is a sign that cooling air will be allowed to pass through.

MAINTENANCE

CV Axle Boots

Check the protective boots **1** for holes or wears. If any damage is found, have them replaced by your dealer.



MAINTENANCE

Spark Plug Inspection

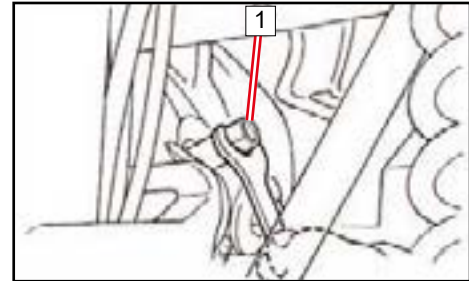
Removal

1. Remove the side panel(s).
2. Remove the spark plug cap(s).
3. A spark plug wrench is supplied in the tool kit to remove the spark plug as shown.

Inspection

The spark plug is an important engine component and is easy to inspect. The condition of the spark plug can indicate the condition of the engine. The ideal color on the white insulator around the center electrode is a medium-to-light tan color for a ATV that is being ridden normally.

Do not attempt to diagnose such problem yourself. Instead, take the ATV to dealer. You should periodically remove and inspect the spark plug because heat and deposits will cause the spark plug to slowly break down and erode. If electrode erosion becomes excessive, or if carbon and other deposits are excessive, you should replace the spark plug with the specified plug.



MAINTENANCE

Specified Spark Plug: **DCPR8E (NGK)**

Installation

Measure the electrode gap with a wire thickness gauge, and if necessary, adjust the gap to specification.

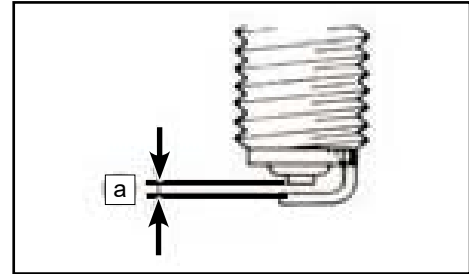
Spark Plug Gap **a**: **0.8 mm~0.9 mm**

1. Clean the gasket surface. Wipe off any grime from the threads.
2. Install spark plug and tighten to specified torque.

Spark Plug Torque: **14.8 ft-lb. (20N•m)**

If a torque wrench is not available, a good estimate of the correct torque is 1/4 to 1/2 turn past finger tight. Have the spark plug tightened to the specified torque as soon as possible.

3. Install the spark plug cap.
4. Install the panel.



MAINTENANCE

Spark Plug Removal To Expel Water From The Engine

If water has been ingested into the engine, it is important to remove the water as soon as possible by removing the spark plugs and using the starter system to rotate the engine for a short period to expel water out of the cylinder. Verify that the air box has been drained of water before attempting to expel water.

CAUTION

Major engine damage can result if the vehicle if water is ingested into the engine. Have the vehicle serviced by your dealer promptly if your vehicle becomes immersed or stalls in water that exceeds the footrest level. It is important to contact your dealer for service before starting the engine if water has been ingested. Water inside the engine can cause a 'hydraulic lock' effect that can damage the starter and engine components. The engine oil should be checked for water contamination. Drain and refill with new engine oil if water is found in the crankcase.

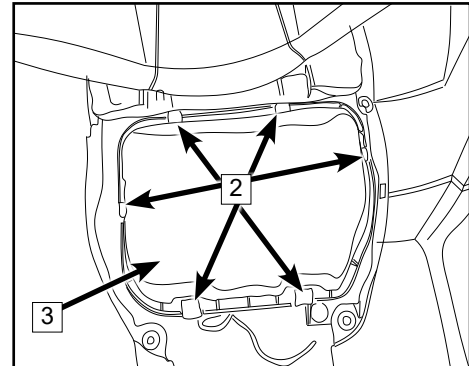
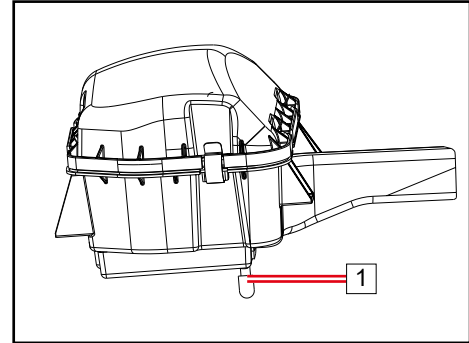
MAINTENANCE

Air Filter Element

A check hose [1] is located at the bottom of the air filter housing. If dust or water can be viewed in this hose, empty the hose and clean the air filter housing thoroughly. If the vehicle was submerged, please contact your local dealer to check for water inside the engine crankcase.

Air filter maintenance

1. Remove the seat.
2. Remove the filter housing decorative cover assembly by pulling outward at the rear sides of the cover to disengage it from the grommets, then lift up at the rear center section to disengage from the center grommet. Finally, pull up and back on the cover assembly to remove it.
3. Remove the cover spring clips [2] and remove the filter housing cover [3].
4. Loosen the air filter clamp [4] and remove the air filter [5].
5. Remove the foam pre-filter [6] from the air filter.
6. Wash the foam pre-filter gently with soap and water, and allow it to completely dry.



MAINTENANCE

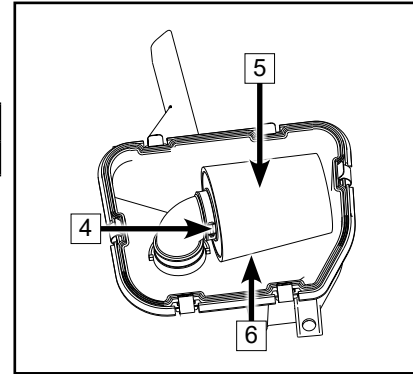
7. Inspect the paper air filter and verify it is okay to reinstall. Softly brush off accumulated dust if necessary. Install a new filter as necessary.

CAUTION

Do not wash the paper filter element or clean with compressed air.

Install the pre-filter onto the air filter. Apply a thin film of lubricant on the inside diameter of the air filter rubber seal.

8. Install the air filter and clamp onto the air filter housing inlet. Tighten the clamp securely.
9. Reinstall the air filter housing cover and spring clips. Verify the cover is installed correctly and is sealing properly.
10. Reinstall the decorative cover assembly. Ensure the grommets are engaged and secure.



NOTE:

The air filter must be checked and replaced more often if the machine is operated in extremely dusty areas or if it becomes wet. Each time air filter maintenance is performed, check the air inlet to the air filter box for obstructions, the fittings of the air filter housing rubber joint, throttle body, and manifold for an airtight seal. Check that all fittings are tightened securely to avoid the possibility of unfiltered air entering the engine.

CAUTION

Do not start engine without an air filter element. Unfiltered air will cause engine wear and damage. Driving without an air filter will also decrease performance and can lead to engine overheating.

MAINTENANCE

Drying the air filter housing after submersion

If water has been ingested into the air filter housing, Drain the air filter housing, remove the air filter, and thoroughly dry the components. Do not use compressed air. Contact your dealer if vehicle performance issues exist.

CAUTION

Do not operate the engine without an air filter element. Unfiltered air will enter into the engine and cause engine wear and damage. Driving without an air filter will also decrease performance and can lead to engine overheating.

CAUTION

Major engine damage can result if the vehicle if water has been ingested into the air filter housing, and engine. Have the vehicle serviced by your dealer promptly if your vehicle becomes immersed or stalls in water that exceeds the footrest level. It is important to contact your dealer for service before starting the engine, as water may have been ingested in the air box and engine.

MAINTENANCE

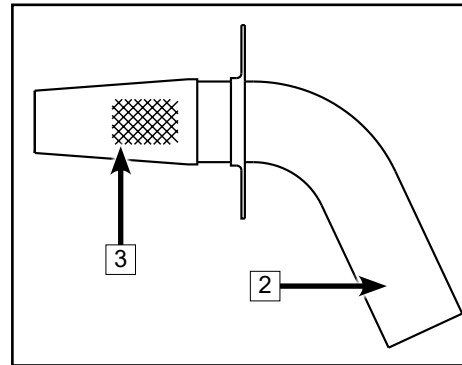
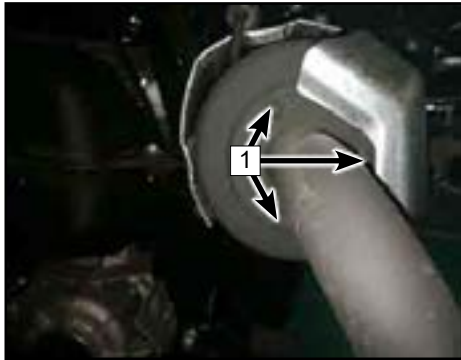
Spark Arrestor

Clean spark arrestor while muffler and exhaust are in normal temperature.

1. Remove the fasteners [1].
2. Remove spark plug arrestor [2] from muffler.
3. Tap the tailpipe lightly, and then use a wire brush to remove any carbon deposits [3] from the spark arrestor portion of the tailpipe.
4. Insert the tailpipe into the muffler and align the bolt holes.
5. Install and tighten the fasteners.

⚠ WARNING

When cleaning the spark arrestor: Always let the exhaust system cool prior to touching exhaust components. Do not start the engine when cleaning the exhaust system.

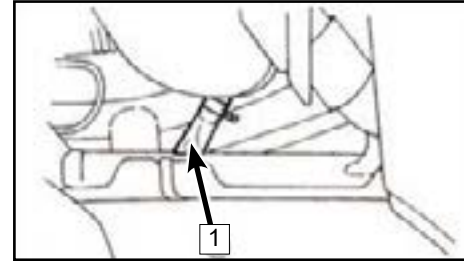


MAINTENANCE

CVT System

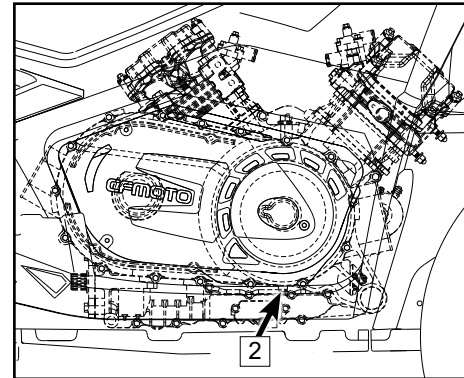
CVT air outlet indicator Hose

If dust or water can be viewed in this indicator hose [1], empty the hose and clean or drain the CVT housing. If the vehicle was submerged, contact your local dealer to check the CVT housing and components thoroughly.



CVT cover drain bolt

If the vehicle was submerged in water deep enough that water entered the CVT housing, remove the drain bolt [2]. to drain the water from the housing.



CAUTION

If water drains from the CVT housing after removing the bolt, have your dealer inspect the vehicle, as water may have affected the CVT system and other engine parts.

MAINTENANCE

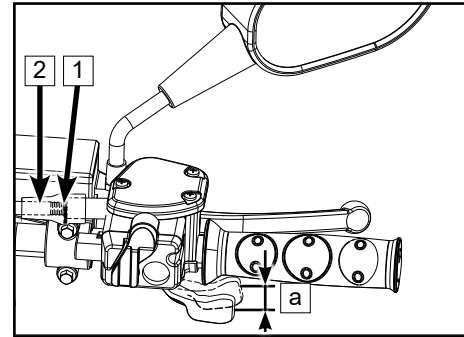
Throttle freeplay adjustment

Check the throttle freeplay at regular intervals.

NOTE:

Check the engine idling speed after adjusting throttle lever freeplay.

1. Loosen lock nut **1**.
2. Turn adjustment nut **2** to lever travel: **a** = 3mm - 5 mm.
3. Fasten lock nut **1**.



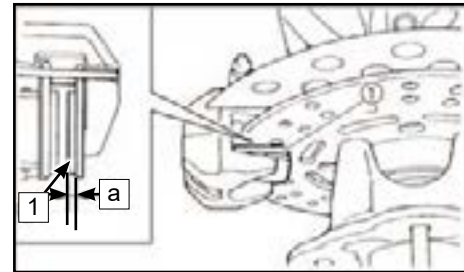
Brake System

Brake pad inspection

Check the brake pads **1** for damage and wear. If the pad thickness (A) is less than .059 in. (1.5mm) or the disc thickness (B) is less than .157 in. (4.0mm), have your dealer replace them. Replacement of brake components requires professional knowledge. These procedures should be performed by your dealer.

NOTE:

Wheel removal is required to check brake pads.



MAINTENANCE

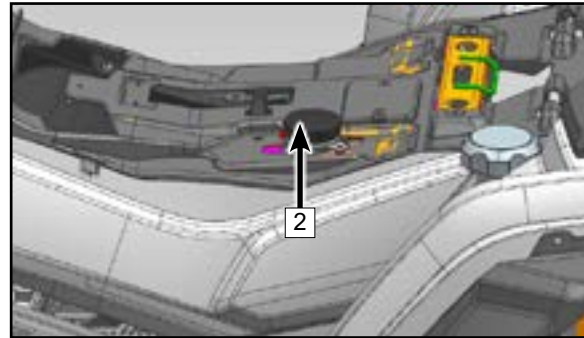
Brake fluid inspection

Check the brake fluid level before every ride.

The front brake fluid master cylinder reservoir **1** is located on the right side of the handlebar.

The foot brake fluid master cylinder reservoir is located under the seat. Remove the seat, and then check the fluid level **2**.

Insufficient brake fluid may let air enter the brake system, possibly causing the brakes to become ineffective. Before riding, check that the brake fluid is above the lower level and replenish when necessary.



MAINTENANCE

Observe these inspection precautions:

1. Ensure the ATV is parked on level ground.
2. When checking the front brake fluid level, make sure the master cylinder reservoir is level by turning the handlebar until the steering is centered and the wheels are pointed forward.
3. Use only the designated quality brake fluid. Otherwise, the rubber seals may deteriorate, causing leaks and poor brake performance.

Recommended Brake Fluid: **DOT 4**

4. Refill with the same type of brake fluid. Mixing fluids may result in a harmful chemical reaction and lead to poor brake performance.
5. Be careful that water does not enter the master cylinder reservoir when refilling. Water will significantly lower the boiling point of the fluid and may result in vapor lock.
6. Brake fluid may deteriorate painted surfaces or plastic parts. Always clean up spilled fluid immediately.
7. Have your dealer check the cause if the brake fluid level goes down.

MAINTENANCE

Brake fluid change

Complete fluid replacement should be done only by trained service personnel. Have your dealer replace the following components during periodic maintenance or when they are damaged or leaking.

- Replace the brake hoses every four (4) years.

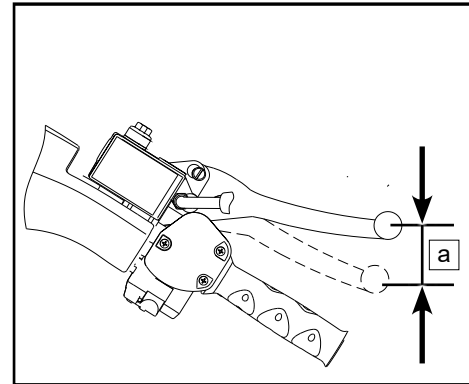
DANGER

(After servicing):

- All air must be bled from the brake system. Servicing of brake components requires professional knowledge. These procedures should be performed by your dealer.
- Make sure the brakes operate smoothly and that freeplay is correct.
- Make sure the brakes do not drag.
- Make sure the brakes are not spongy.

Front lever free play

The front brake lever should have a small amount of freeplay at the lever end. If it does not, contact your dealer to check the brake system.



MAINTENANCE

Parking brake

When parking, stop the engine and shift the gear selector lever **1** into the park position, then activate the parking brake.

WARNING

Operating the ATV while the parking brake is engaged could result in an accident and serious injury or death.

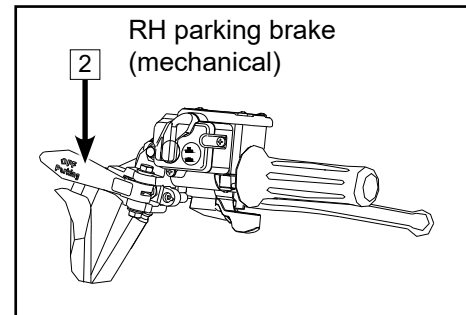
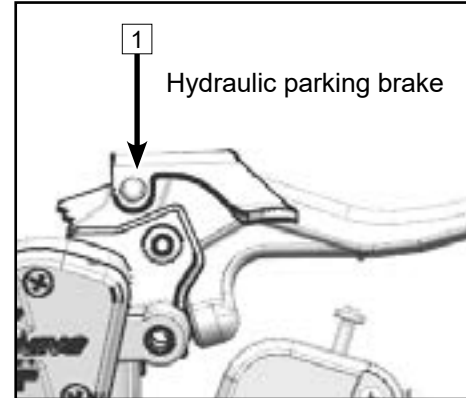
Always check to be sure the parking brake is disengaged before operating.

Important Safeguards

The parking brake may relax if left on for a long period of time. Always block the wheels to prevent rolling. Never depend on the parking brake alone if the ATV/Quadricycle is parked on a hill. Always block the wheels on the downhill side of the ATV/Quadricycle to prevent rolling. Another option is to park the ATV/Quadricycle in a sidehill position.

DANGER

The mechanical parking brake **2** should not be used for braking during operation.



MAINTENANCE

Foot brake pedal height adjustment

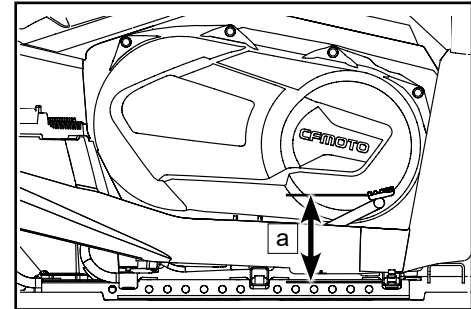
NOTE:

The top of the brake pedal should be positioned 95mm~100mm above the top of the footrest. If it is not, have your dealer to adjust it.

 **DANGER**

(After servicing):

- Make sure the brakes operate smoothly and that freeplay is correct.
- Make sure the brakes do not drag.
- Make sure the brakes are not spongy.



Foot brake light switch

Check switch assembly or cable is properly fixed in case of brake light failure.

MAINTENANCE

Control cables

Lubricate the inner cable and the cable ends for the throttle and parking cables. Maintain and replace the cables according to the maintenance schedule.

⚠ WARNING

Inspect cables frequently. Replace damaged cables. If the cables do not operate smoothly, ask your dealer to replace them.

Recommended Cable Lubricant: **SAE 10W/30 Oil**

Suspension Pivots

Front Suspension:

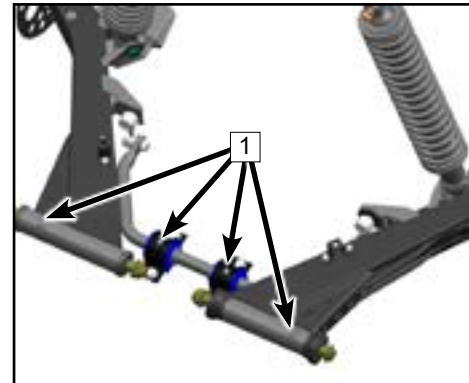
The front suspension is not equipped with grease nipples. No maintenance is required.

Rear Suspension and Stabilizer Bar:

Add All-season grease into the grease nipples **1** with a grease gun until it begins to flow from the bushing.

NOTE:

Recommended Lubricant: All-season grease.



MAINTENANCE

Wheel and Tires

Removal and installation

Removal

1. Loosen the wheel nuts **1**.
2. Elevate the ATV and place a suitable stand under the frame.
3. Remove the nuts from the wheel.
4. Remove the wheel.

Installation:

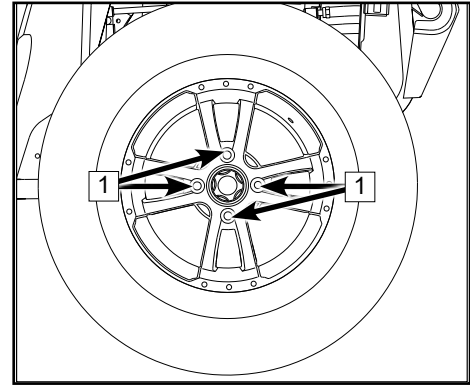
1. Install the wheel and the nuts.

NOTE:

- Tapered nuts are used for both the front and rear wheels. Install the nut with its tapered side towards the wheel.
 - The arrow mark on the tire must point toward the rotating direction of the wheel.
2. Lower the ATV so that the wheel is on the ground.
 3. Tighten the wheel nuts to the specified torque.

NOTE:

Wheel Nut Torque: **52.4 lb-ft. ~ 59 lb-ft. (70 N•m ~ 80 N•m).**



MAINTENANCE

Tire pressure

Inspect the tire pressure before operation:

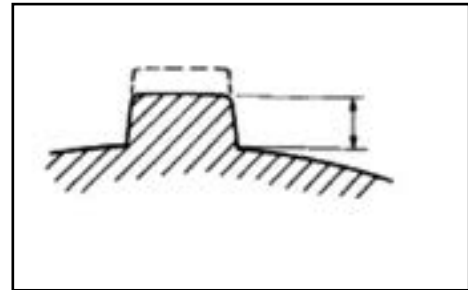
Front: 6.5 psi (45 kPa)

Rear: 6.5 psi (45 kPa)

Tread depth

Inspect the tread depth regularly and replace the tires if the minimum tread depth is less than the specification.

Minimum Tread Depth: **3/32 in. (3.0 mm)**



MAINTENANCE

Battery / Electrical

This machine is equipped with low maintenance battery which is located under front access cover. Therefore, it is not necessary to check the electrolyte or add distilled water in the battery. If the battery seems to have discharged, consult your dealer.

Battery Size Specification: **12Vdc / 30Amp-hour**

| |
|--|
|  WARNING |
|--|

| |
|--|
| Do not try to remove the sealing caps of the battery cells. You will damage the battery. |
|--|

| |
|---|
|  DANGER |
|---|

| |
|---|
| Avoid contact with skin, eyes or clothing. Always shield eyes when working near batteries. Keep out of reach of children. |
|---|

Antidote:

EXTERNAL: Flush with water. INTERNAL: Drink large quantities of water or milk. Follow with milk of magnesia, beaten egg or vegetable oil. Get prompt medical attention.

EYES: Flush with water for 15 minutes and get prompt medical attention. Keep batteries away from sparks, flames, cigarettes or other sources of ignition. Ventilate when charging or using in a closed space.

Battery maintenance guidelines:

- If the vehicle will not be used for a month or longer, remove the battery and store it in a cool, dry place. Completely recharge the battery before reinstallation.
- A special battery charger (constant low voltage/ampere) is required for recharging low maintenance batteries. Using a conventional battery charger may shorten the battery life.
- Always make sure the cable connections are the correct polarity when reinstalling the battery. RED ('+' positive) / Black ('-' negative). Always disconnect the RED ('+' positive) cable last during removal, and reconnect it first during installation.
- Corroded battery connections can be cleaned with a mixture of baking soda and water.

MAINTENANCE

Battery removal

Turn off all electrical and the engine before disassembly.

Remove the front rack access cover.

Remove the bolts and battery bracket.

Remove the battery negative wire and bolt together.

Remove the battery positive wire and bolt together.

Take out the battery.

Battery installation

Mount the battery in place.

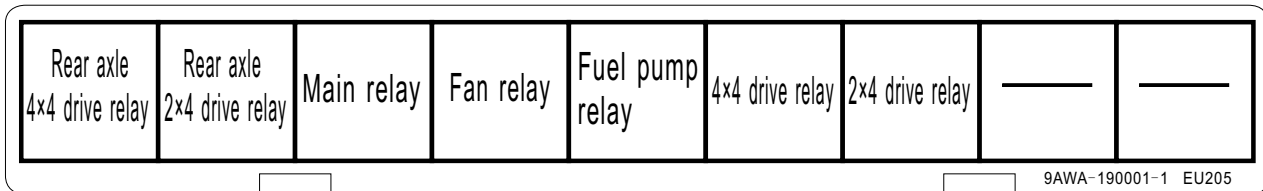
Install the positive wire and bolt onto the battery positive terminal.

Install the negative wire and bolt onto the battery negative terminal.

Install the battery bracket and bolts.

Relays

Electrical relays help to operate the various vehicle systems and functions, and are located under the front access cover. For relay replacement or diagnosis, contact your dealer.



9AWA-190001-1 EU205

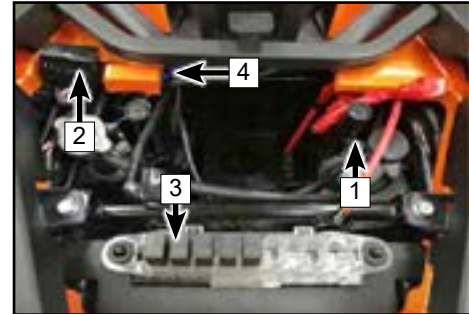
MAINTENANCE

Fuse and relay replacement

The main fuse **1**, fuse panel **2**, EPS fuse **4** and relay panel **3** are located under the front access cover.

If a fuse is blown, turn off the main switch and install a new fuse of the specified amperage. Test by turning on main power and switches. If the fuse immediately blows again, consult your dealer.

| |
|--|
| ⚠ CAUTION |
| Always use a fuse of the specified rating. |
| Never use conductive material in place of the proper fuse. |
| To prevent accidental short-circuit, turn off the main switch when checking or replacing a fuse. |



Headlight bulb replacement

Both headlight assemblies are LED, which cannot be repaired if damaged or failed. Please have your dealer replace the entire assembly when the LED light is damaged or failed.

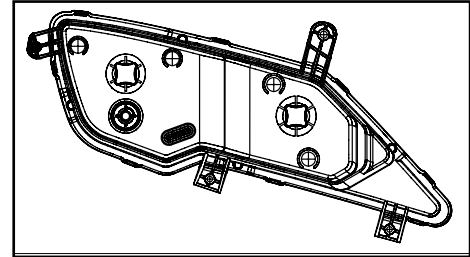


MAINTENANCE

Headlight beam adjustment

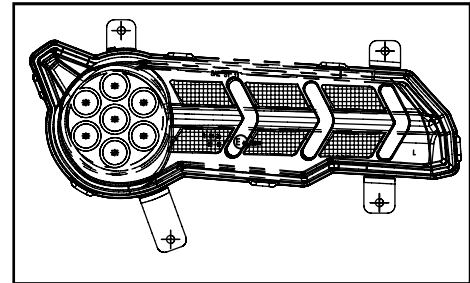
 **WARNING**

It is advisable to have your dealer make this adjustment. Turn the adjusting screws to raise or lower the beam.



Tail/brake light replacement

Tail/brake assemblies are LED, which cannot be repaired if damaged or failed. Please have your dealer replace the entire assembly when the LED light is damaged or failed.



MAINTENANCE

Front and Rear Suspension Adjustment

Shock absorber spring preload

The spring preload can be adjusted to suit the rider's weight and riding conditions.

When adjusting the rear shock absorbers, the rear wheels are required to be removed.

Adjust the spring preload as follows:

To increase the spring preload, turn the adjuster **1** in direction **a** .

To decrease the spring preload, turn the adjuster **1** in direction **b**

NOTE:

A special wrench (**3** if not supplied in tool kit) can be obtained at a dealer to make this adjustment.

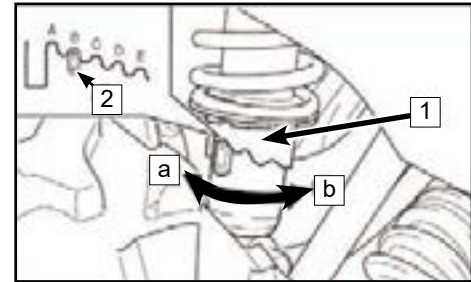
Standard preload position: **B**

A- Minimum (soft)

E- Maximum (hard)

NOTE:

Always adjust the shock absorbers left and right to the same setting. Lifting the vehicle to release suspension pressure aids adjuster movement.



MAINTENANCE

Gas shock absorber adjustment

Option 1 shock adjustment procedures

Spring adjustment:

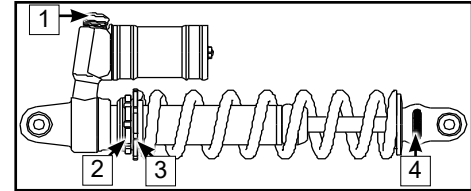
Loosen lock nut [2]. Turn adjust nut [3] to proper hardness, then tighten the lock nut .

Damping rebound adjustment:

Turn adjuster [4] to SLOW side until to end, then turn to FAST side until suitable to your comfort.

Damping pressure adjustment:

Turn adjuster [1] to SLOW side, then to FAST side until suitable to your comfort.



Option 2 shock adjustment procedures

Spring adjustment:

Loosen lock nut [3]. Turn adjust nut [2] to proper hardness, then tighten the lock nut.

Damping restore adjustment:

Turn adjuster [1] to SLOW side until to end, then turn to FAST side until suitable to your comfort.

Damping pressure is not possible to adjust on option 2 shocks.

NOTE:

Always adjust the shock absorbers on the left and right sides to the same setting.

MAINTENANCE

Fuel Evaporation System (EVAP)(If equipped)

Depending on market requirements, in certain areas your vehicle is equipped with a fuel evaporation system (EVAP) that prevents fuel vapors from entering the atmosphere from the fuel tank and fuel system. Never modify any part of this system, which will violate fuel evaporation emission regulations.

During routine maintenance, visually inspect all connections for leaks and blockage, and inspect the hoses for kinks or damage.

No other maintenance is necessary. Contact your dealer if repair is required.

NOTE: Information applies only to vehicles equipped with a fuel evaporation system.

| |
|--|
|  WARNING |
|--|

| |
|--|
| If your vehicle becomes immersed, major engine damage can result if the machine is not thoroughly inspected. Water can be ingested through the EVAP system. Take the vehicle to your dealer before starting the engine. For example, if the engine is not properly handled after immersion, starting will damage the engine. |
|--|

CLEANING & STORAGE

Cleaning & Storage

Cleaning the ATV

Keeping your ATV clean will not only improve its appearance, but it can also extend the life of various components. With a few precautions, your ATV can be cleaned much like an automobile.

Washing the ATV

The best and safest way to clean your ATV is with a garden hose and a pail of mild soap and water. Use a professional type washing mitten, cleaning the upper body first and the lower parts last. Rinse with water frequently and dry with a chamois to prevent water spots.

NOTE:

If warning and safety labels are damaged, contact your dealer for replacement.

CFMOTO does not recommend the use of a high pressure type car wash system for washing your ATV. If a high pressure system is used, exercise extreme care to avoid water damage to the wheel bearings, transmission seals, body panels, brakes, warning labels, air filter intake system and electric system, etc. Water is not allowed to enter the air filter.

NOTE:

Grease all fittings immediately after washing, and allow the vehicle to run for a while to evaporate any water that may have entered the engine or exhaust system.

CLEANING & STORAGE

Waxing the ATV

Your ATV can be waxed with any non-abrasive automotive paste wax. Avoid the use of harsh cleaners since they can scratch the body finish.

| |
|--|
|  CAUTION |
|--|

| |
|---|
| Certain products, including insect repellents and chemicals, will damage plastic surfaces. Use caution when using these products near plastic surfaces. |
|---|

Perform repairs

Make necessary repairs to your vehicle before storing to prevent further damage the next time you operate it.

Check the tires

Inspect the tire treads and overall condition. Set the tires to the specified air pressure.

CLEANING & STORAGE

Oil and Filter

Warm the engine, then stop the engine and change the oil and filter.

Air Filter/ Air Box

Inspect and clean or replace air filter. Clean the air box and drain the sediment tube.

Check fluid levels

Inspect the following fluid levels and change if necessary:

- Front gear case
- Rear gear case
- Brake fluid (change every two years or as required if fluid looks dark or contaminated)
- Coolant (change every two years or as required if coolant looks contaminated)
- Fuel Level (add fuel stabilizer according to the product label directions)

Stabilize the fuel

Fill the fuel tank with fresh fuel that has been treated with fuel stabilizer according to the product label directions. Do not allow untreated fuel to remain in the tank longer than 30 days, as the fuel begins to degrade and can cause damage to the fuel system components.

Battery storage

Remove the battery from the vehicle and ensure that it is fully charged before placing it in storage. Protect the battery from freezing temperatures, which can damage the battery.

Lubricate

Inspect all cables and lubricate with cable lubricant according to the product label directions. Grease the vehicle pivot points with all-season grease.

CLEANING & STORAGE

'Fog' the engine

1. Access the spark plugs.
2. Remove the spark plugs, rotate each piston to the bottom of its stroke and pour approximately 2.0 oz. (15mL~20mL) of engine oil into the spark plug hole.

NOTE:

Do this carefully! If you miss the spark plug hole, oil will drain from the spark plug cavity, and appear to be an oil leak. To access the spark plug hole, use a section of clean hose and a small plastic squeeze bottle filled with the pre-measured amount of oil.

3. Reinstall the spark plugs. Torque the spark plugs to specification.
4. Turn engine over several times slowly. Oil will be forced in and around the piston, piston rings and the cylinder will be coated with a protective film of fresh oil.
5. Reinstall the spark plug caps and coverings.

NOTE:

Starting the engine during the storage period will disturb the protective film created by fogging. Corrosion could occur. Never start the engine during the storage period.

CLEANING & STORAGE

Engine Coolant

Test engine coolant strength and change if necessary. Coolant should be replaced every two years.

Storage Area/Covers

Set the tires to specified air pressure and support the ATV with tires 30mm~40mm off the ground. Be sure the storage area is well ventilated and cover the machine with a ATV cover.

NOTE:

Do not use plastic or coated materials. They do not allow enough ventilation to prevent condensation, and may promote corrosion and oxidation.

CLEANING & STORAGE

Transporting the Vehicle

Follow these procedures when transporting the vehicle:

- Turn off the engine and remove the key to prevent loss during transporting.
- Ensure the fuel cap is installed correctly and secure.
- Ensure the seat(s) is installed correctly and secure.
- Place the gear selector into any position except the parking position, and block the front and rear wheels to prevent the vehicle from moving.
- Secure both the front and rear of the vehicle frame to the transporting device. This will prevent the vehicle from sliding or moving during transport.

| |
|--|
|  CAUTION |
|--|

| |
|---|
| Never transport with the gear selector in Park position. Transmission damage will result. |
|---|

| |
|--|
| Never use the winch as a securing device for transport. Damage to the winch will result. |
|--|

VEHICLE DIAGNOSIS

Vehicle Issue Diagnosis

This section is intended to guide an average owner to simple items that could cause operating problems. Diagnosis of vehicle issues may require the experience of a dealership technician. Please contact your dealer if a solution is not apparent.

Engine Starter Doesn't Turn On

| Fail Reason | How To Avoid Failure |
|----------------------------|---|
| Poor engine performance. | Check for fouled plugs or foreign material in gas tank, fuel lines, or throttle. Contact your dealer for service. |
| Tripped circuit breaker | Reset the breaker or replace the fuse |
| Low battery voltage | Recharge battery to 12.8 Vdc |
| Loose battery connections | Check all connections and tighten |
| Loose solenoid connections | Check all connections and tighten |

Engine Pings or Knocks

| Fail Reason | How To Avoid Failure |
|--------------------------------------|-----------------------------------|
| Poor quality or low octane fuel | Replace with recommended fuel |
| Incorrect ignition timing | See your dealer |
| Correct spark plug gap or heat range | Set gap to specs or replace plugs |

VEHICLE DIAGNOSIS

Engine Stops or loses power

| Fail Reason | How To Avoid Failure |
|-------------------|--|
| Overheated engine | Clean radiator screen and core Clean engine exterior See your dealer |

Engine Turns Over, Fails to Start

| Fail Reason | How To Avoid Failure |
|-------------------------------------|---|
| Out of Fuel | Refuel |
| Clogged fuel valve or filter | Inspect and clean or replace |
| Water is present in fuel | Drain the fuel system and refuel |
| Fuel valve is out of use | Replace |
| Old or non-recommended fuel | Replace with new fuel |
| Fouled or defective spark plug(s) | Inspect plug(s), replace if necessary |
| No spark to spark plug | Inspect plug(s), verify stop switch is on |
| Crankcase filled with water or fuel | Immediately see your dealer |
| Overuse of choke | Inspect, clean and/or replace spark plugs |
| Clogged fuel injector | Clean or replace new fuel injector |
| Low battery voltage | Recharge battery to 12.8 Vdc |
| Mechanical failure | See your dealer |

VEHICLE DIAGNOSIS

Engine Backfires

| Fail Reason | How To Avoid Failure |
|--|---|
| Weak spark from spark plugs | Inspect, clean and/or replace spark plugs |
| Incorrect spark plug gap or heat range | Set gap to specs or replace plugs |
| Old or non-recommended fuel | Replace with new fuel |
| Incorrectly installed spark plug wires | See your dealer |
| Incorrect ignition timing | See your dealer |
| Mechanical failure | See your dealer |

Engine Runs Irregularly, Stalls or Misfires

| Fail Reason | How To Avoid Failure |
|--|-----------------------------------|
| Fouled or defective spark plugs | Replace with recommended fuel |
| Worn or defective spark plug wires | See your dealer |
| Incorrect spark plug gap or heat range | Set gap to specs or replace plugs |
| Loose ignition connections | Check all connections and tighten |
| Water present in fuel | Replace with new fuel |
| Low battery voltage | Recharge battery to 12.8 Vdc |

VEHICLE DIAGNOSIS

Engine Runs Irregularly, Stalls or Misfires

| Fail Reason | How To Avoid Failure |
|--|---|
| Kinked or plugged fuel vent line | Inspect and replace |
| Incorrect fuel | Replace with recommended fuel |
| Clogged air filter | Inspect and clean or replace |
| Reverse speed limiter malfunction | See your dealer |
| Electronic throttle control malfunction | See your dealer |
| Other mechanical failure | See your dealer |
| Possible Lean or Rich Fuel Mixture Cause | Solution |
| Low or contaminated fuel | Add or change fuel, clean the fuel system |
| Low octane fuel | Replace with recommended fuel |
| Clogged fuel filter | Replace filter |
| Fuel is very high octane | Replace with lower octane fuel |

VEHICLE DIAGNOSIS

Engine Stops or Loses Power

| Fail Reason | How To Avoid Failure |
|---|---|
| Out of fuel | Refuel |
| Kinked or plugged fuel vent line | Inspect and replace |
| Water present in fuel | Replace with new fuel |
| Fouled or defective spark plugs | Inspect, clean and/or replace spark plugs |
| Worn or defective spark plug wires | See your dealer |
| Incorrect spark plug gap or heat range | Set gap to specs or replace plugs |
| Loose ignition connections | Check all connections and tighten |
| Low battery voltage | Recharge battery to 12.8 Vdc |
| Clogged air filter | Inspect and clean or replace |
| Reverse speed limiter malfunction | See your dealer |
| Electronic throttle control malfunction | See your dealer |
| Other mechanical failure | See your dealer |

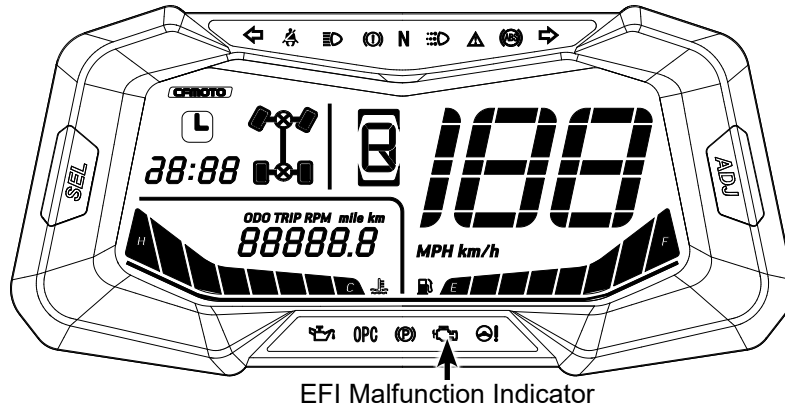
VEHICLE DIAGNOSIS

EFI Malfunction Indicator Light

The Electronic Fuel Injection system on your vehicle contains a self-diagnostic feature that will illuminate the malfunction indicator light (MIL) if it detects a problem. When this indicator is on, the fault code will display on the dashboard directly, record the fault code and contact your dealer for diagnosing. Your dealer has the EFI tool required to diagnose, repair and clear trouble codes.

During normal operation, the EFI indicator will be off.

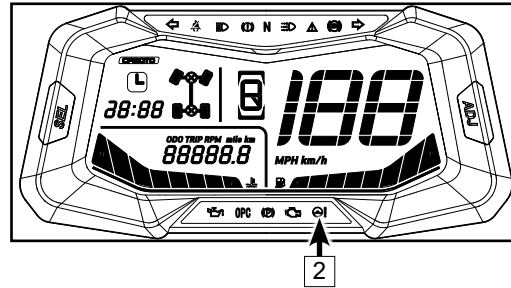
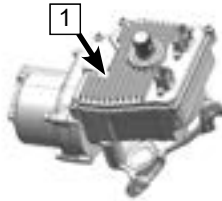
NOTE: The 16-Pin OBD-style connector (located under the seat) includes an OBD cap with an internal jumper circuit. The OBD cap must remain in place, or it will lead to no display of the engine RPM or coolant temperature. Do not lose the cap or misplace it.



VEHICLE DIAGNOSIS

EPS Malfunction Indicator Light

The Electronic Power Steering system (1) on your vehicle contains a self-diagnostic feature that will illuminate the malfunction indicator light (MIL-2) if it detects a problem. In normal operation, the EPS indicator will be on after the ignition switch is turned to ON, but EPS will not work. When the engine is started, the EPS indicator will be off and the EPS starts to function.



Trouble Code

Each trouble code consists of 2 digits, denoted by the times of long flash and short flash of EPS indicator.

Times of long flash represent the tens digit;

Times of short flash represent the single digit;

Duration of long flash: 2 sec.

Duration of short flash: 1 sec.

Flash interval: 1 sec.

The flash cycle will repeat after EPS indicator turns off for 3 seconds. Write down the flash sequence and contact your dealer for diagnosis. Your dealer has the special tool required to diagnose, repair and clear trouble codes. Any codes will disappear once the problem has been diagnosed and repaired by your dealer.

VEHICLE DIAGNOSIS

EPS fault diagnosis and solution

| Ref No | Trouble shooting | Possible causes | Repair procedures |
|--------|--|--|--|
| 1 | No steering assist to handlebar | Improper plug connection | Check the plugs and connections |
| | | Burnt fuse | Replace fuse |
| | | Failure of Controller, Motor or sensor | Contact authorized dealer and replace the parts. |
| 2 | Asymmetrical steering assist to left and right turning | Improper voltage output from sensor | Contact authorized dealer for adjustment or replacement |
| | | Controller, Motor or sensor break down | Contact authorized dealer and replace the parts. |
| 3 | Steering swing | Wrong connections at motor terminals | Change the terminal connection of the red and black wire |
| | | Controller or sensor break down | Contact authorized dealer for parts and replacement |
| 4 | Low power steering assist | Overuse of choke | Recharge or replace battery |
| | | Motor break down. | Contact authorized dealer for replacement |
| | | Low pressure with Front tires | Inflate tires to the required pressure |
| 5 | Noise from system | Motor break down. | Inspect, clean and/or replace spark plugs |
| | | Steering system parts wear out and big clearance exist. | Replace the related parts. |
| | | Improper assembly of steering column or mechanical steering assembly parts | Check and tighten all of bolts. |

CFMOTO LIMITED WARRANTY FOR USA

CFMOTO Limited Warranty

Dear Customer,

Thank you for purchasing a CFMOTO product, if any component on your vehicle is found to be defective in materials or workmanship within the terms and conditions of this Limited Warranty, the defective component will be repaired or replaced (at the option of CFMOTO) without charge for parts and/or labor at any authorized dealer located within the United States. The CFMOTO Limited Warranty is subject to the following terms and conditions:

WARRANTY TERMS & CONDITIONS

1.WARRANTY DURATION: The duration of the warranty period is one (1) year from the date of the new vehicle purchase from an authorized CFMOTO POWERSPORTS, Inc., Dealer. This warranty coverage is invoked from the purchase and use of CFMOTO vehicles only within the continental United States. During the warranty period, CFMOTO POWERSPORTS, Inc. will cover parts and labor costs incurred by an authorized CFMOTO POWERSPORTS, Inc. Dealer arising from a defect in material and/or workmanship of a CFMOTO vehicle. Any vehicles used for commercial purposes will have their warranty period reduced to six (6) months. If CFMOTO POWERSPORTS, Inc. covers a full engine replacement or a complete vehicle replacement under this warranty, the warranty period does not get extended and remains the same as the original purchase date of the vehicle at issue.

2.WARRANTY LIMITATIONS: CFMOTO POWERSPORTS, Inc. provides warranty coverage for one (1) year on all parts and labor for all of its new CFMOTO ATVs. However, the following coverage, exceptions, and limitations apply to all CFMOTO vehicles:

CFMOTO LIMITED WARRANTY FOR USA

- A.** A 30-DAY WARRANTY coverage period applies to all new CFMOTO vehicles in relation to the vehicle's:
- Battery
 - Spark Plugs
 - Air Filters
 - Oil and Fuel Filters
- B.** A 90-DAY WARRANTY coverage period applies to all new CFMOTO vehicles in relation to the vehicle's:
- Drive Belt
 - Gear Shift, CVT, and Wet Clutch
 - Throttle and Brake Cables
 - Front/Rear Rims
 - Front/Rear Tires
 - Front/United Brake Pads or Shoes
 - Front/United Brake Discs or Drums
 - Wheel or Steering Stem Bearings and Seals
 - Rubber Parts/Engine Mounts/Grips/Boots
 - Brake or Clutch Levers
 - Floor Boards or Pegs
 - ATV Winch (if equipped)
 - Light Bulbs/Fuses
 - Body Plastics and Cosmetic Defects

CFMOTO LIMITED WARRANTY FOR USA

3. EXCLUSIONS FROM WARRANTY COVERAGE: Any Damage resulting from the following acts or circumstances is not covered by the CFMOTO POWERSPORTS, Inc., Limited Warranty:

- Fire
- Collision
- Theft
- Unavoidable natural disasters
- Improper storage or transportation
- Failure or negligence in the performance of periodic vehicle maintenance
- Improper or negligent use or operation
- Unauthorized repair or adjustment
- Unauthorized modifications or performance upgrades
- Use of vehicle as a rental vehicle
- Use of vehicle in competitive or racing events

4. VEHICLE CARE AND MAINTENANCE: The vehicle's owner must properly use, maintain, and care for the vehicle as outlined in the CFMOTO POWERSPORTS, Inc., Owner's Manual. Any warranty repairs must be performed exclusively by CFMOTO POWERSPORTS, Inc., authorized Dealers. Any warranty work performed by anyone other than an authorized CFMOTO Dealer will not be covered under the CFMOTO POWERSPORTS, Inc., Limited Warranty policy.

CFMOTO LIMITED WARRANTY FOR USA

5. TRANSFER OR CONTINUATION OF WARRANTY: This warranty is transferable only under the following conditions:

- Transfer information must be provided to an authorized CFMOTO POWERSPORTS, Inc. dealer, who will then forward the information to CFMOTO POWERSPORTS, Inc.;
- The complete model and serial number as shown on the original warranty document must be Provided.
- The name and address of the existing and new owners must be provided.
- The original delivery date of the vehicle must be provided.
- The new owner must indicate in writing that he/she has received and read the vehicle's Owner's Manual and the CFMOTO POWERSPORTS, Inc. Warranty Policy.

6. WARRANTY REGISTRATION: The Dealer must complete a PDI form and warranty register the vehicle online and provide the completed registration form to CFMOTO POWERSPORTS, Inc., within seven (7) days of completing the sale of the vehicle. Please note that NO warranty claims will be processed unless the product warranty online registration form is completed and the form is received by CFMOTO POWERSPORTS, Inc., from the Dealer.

7. DEALER RESPONSIBILITIES: A CFMOTO authorized Dealer must perform warranty coverage repairs at no charge to the customer, even if they are not the dealer that sold the CFMOTO vehicle to the customer and must use CFMOTO OEM parts for all warranty repairs. All vehicles sold by the dealer must be inspected and tested by the dealer to ensure proper performance and operation prior to delivery to the customer. No vehicles may be delivered to a customer without first passing a dealer inspection and an operational test.

CFMOTO LIMITED WARRANTY FOR USA

8. CUSTOMER ASSISTANCE: Any questions or concerns regarding your CFMOTO vehicle or related products should be directed to an authorized CFMOTO dealer. However, if a dealer is unable to address customer concerns or a product issue, CFMOTO POWERSPORTS Customer Service can be contacted directly at (763) 398-2690 or by e-mail: info@cfmotousa.com. Please note that Customer Service cannot approve or deny warranty, and cannot provide technical repair data, diagnosis, instruction, or other information beyond what is provided in the Owner's Manual.

9. COMMERCIAL USE: The duration of the warranty for commercial use shall be limited to a period of six (6) months instead of one year for recreational use. All other conditions and limitations shall apply.

10. TIRES PROVIDED AS ORIGINAL EQUIPMENT: Other than provided herein, vehicle tires supplied as original equipment are warranted separately by the individual tire manufacturer or its representatives.

11. DISCLAIMER: NO EXPRESS WARRANTY IS PROVIDED BY CFMOTO POWERSPORTS, INC. WITH RESPECT TO CFMOTO VEHICLES EXCEPT AS SPECIFICALLY SET FORTH HEREIN. ANY IMPLIED WARRANTY, WARRANTY OF MERCHANTABILITY, WARRANTY OF FITNESS FOR A PARTICULAR PURPOSE, AND ALL IMPLIED WARRANTIES ARISING FROM A COURSE OF DEALING, USAGE OF TRADE, BY STATUTE OR OTHERWISE, ARE HEREBY STRICTLY LIMITED TO THE TERMS OF THIS WRITTEN LIMITED WARRANTY.

CFMOTO LIMITED WARRANTY FOR USA

12. INTEGRATION: This limited warranty supersedes any and all oral, express, or written warranties, statements, or undertakings that may previously have been made, and contains the entire agreement of the parties with respect to the warranty of CFMOTO vehicles. Any and all warranties not contained in this Agreement are specifically excluded. This warranty extends to each original (and subsequent) owner of any CFMOTO ATV, for the term of the original warranty period. This limited warranty shall be the sole and exclusive remedy available to the customer with respect to the covered CFMOTO vehicle. In the event of any alleged breach of any warranty or any legal action brought by the customer based on alleged negligence or other conduct by CFMOTO POWERSPORTS Inc., or its related parties, the customer's sole and exclusive remedy will be repair or replacement of defective components as stated above, unless otherwise provided by law. Some states do not allow limitations on how long an implied warranty lasts, so the above limitations may not apply if they are deemed inconsistent with the controlling state law.

CFMOTO LIMITED WARRANTY FOR USA
CALIFORNIA EVAPORATIVE EMISSIONS CONTROL WARRANTY STATEMENT
YOUR WARRANTY RIGHTS AND OBLIGATIONS

INTRODUCTION:

The California Air Resources Board (CARB) and CFMOTO Powersports, Inc. (CFMOTO) are pleased to explain the evaporative emissions control system warranty on your 2020 and later-model year off-highway recreation vehicles (OHRVs). In California, new off-highway recreational vehicles must be designed, built, and equipped to meet the State's stringent anti-smog standards. CFMOTO must warrant the evaporative emissions control system on your OHRV for the periods of time listed below, provided there has been no abuse, neglect, improper maintenance, or unapproved modification of your OHRV.

Your evaporative emissions control system may include parts such as: fuel injection systems, electronic control systems, fuel tanks, fuel lines, fuel caps, valves, carbon canisters, filters, vapor hoses, belts, clamps, connectors, and other evaporative emissions-related components. Where a warrantable condition exists, CFMOTO will repair your OHRV at no cost to you, including diagnosis, parts and labor.

MANUFACTURER'S WARRANTY COVERAGE:

The warranty period for this OHRV is 30 months, or 2500 miles, or 250 hours, whichever comes first, except for "high-priced" warranty parts, which are covered for 60 months, or 5000 miles, or 500 hours, whichever comes first. If any evaporative emissions-related part on your OHRV is defective, the part will be repaired or replaced by CFMOTO.

OWNER'S WARRANTY RESPONSIBILITIES:

As the OHRV owner, you are responsible for the performance of the required maintenance listed in your owner's manual. CFMOTO recommends that you retain all receipts covering maintenance on your OHRV, but CFMOTO cannot deny warranty solely for the lack of receipts or for your failure to ensure the performance of a scheduled maintenance.

As an owner, you are responsible for presenting your OHRV to a CFMOTO dealer as soon as a problem exists. The warranty repairs should be completed in a reasonable amount of time, not to exceed 30 days.

CFMOTO LIMITED WARRANTY FOR USA

As an OHRV owner, you should also be aware that CFMOTO may deny you warranty coverage if your OHRV or a part has failed due to abuse, neglect, improper maintenance or unapproved modifications.

WARRANTY PARTS:

The repair or replacement of any warranted part otherwise eligible for warranty coverage may be excluded from such coverage if CFMOTO demonstrates that the OHRV has been abused, neglected, or improperly maintained, and that such abuse, neglect, or improper maintenance was the direct cause of the need for repair or replacement of the part. That notwithstanding, any adjustment of a component that has a factory installed, and properly operating, adjustment-limiting device is still eligible for warranty coverage. The following emission warranty parts list are covered:

- Fuel Tank^{\$}
- Fuel Cap
- Fuel Lines
- Fuel Lines Fittings
- Clamps
- Pressure Relief Valves*
- Control Valves*
- Control Solenoids*
- Electronic Control*
- Electronic Control Module*^{\$}
- Vacuum Control Diaphragms*
- Control Cables*
- Control Linkages*
- Purge Valves
- Vapor Hoses
- Liquid/Vapor Separator
- Carbon Canister
- Canister Mounting Brackets

*Parts that relate to the installed vehicle Evaporative Control System; ^{\$}High-Priced warranty parts.

THE REMOVAL OR MODIFICATION OF EVAPORATIVE EMISSION-RELATED PARTS ON THIS OHRV IS ILLEGAL. VIOLATORS MAY BE SUBJECT TO CIVIL AND/OR CRIMINAL PENALTIES AS PROVIDED UNDER CALIFORNIA AND FEDERAL LAW.

If you have any questions regarding your warranty rights and responsibilities, you should contact CFMOTO at 763 398-2690; 555 Holly Lane N. Suite #30 Plymouth, MN 55447 or the California Air Resources Board at 9528 Telstar Avenue, El Monte, CA 91731.

CFMOTO LIMITED WARRANTY FOR USA

U.S.A. EPA and CARB Emissions Control Limited Warranty

This emissions limited warranty is in addition to the CFMOTO Powersports, Inc. standard limited warranty for your vehicle. CFMOTO Powersports, Inc. warrants that at the time it is first purchased, this emissions- certified vehicle is designed, built and equipped so it conforms to applicable U.S. Environmental Protection Agency (EPA) and the California Air Resource Board (CARB) emission regulations. CFMOTO Powersports, Inc. also warrants that the vehicle is free from defects in materials and workmanship that would cause it to fail to meet these regulations. The warranty period for this emissions-certified vehicle starts on the date the vehicle is first purchased and continues for a period of 500 hours of engine operation, 5000 kilometers (3,100 miles) of vehicle travel, or 30 calendar months from the date of purchase, whichever comes first. This emissions limited warranty covers components whose failure increases the vehicle's regulated emissions, and it covers components of systems whose only purpose is to control emissions. Repairing or replacing other components not covered by this warranty is the responsibility of the vehicle owner. This emissions limited warranty does not cover components whose failure does not increase the vehicle's regulated emissions.

For exhaust emissions, emission-related components include any engine parts related to the following systems:

- Air-induction system (excludes filters)
- Fuel system (excludes filters)
- Ignition system (excludes spark plugs)
- Exhaust gas recirculation systems

The following parts are also considered emission-related components for exhaust emissions:

- After treatment devices
- Crankcase ventilation valves
- Sensors
- Electronic control units

CFMOTO LIMITED WARRANTY FOR USA

The following parts are considered emission-related components for evaporative emissions:

- Fuel Tank
- Fuel Cap
- Fuel Line
- Fuel Line Fittings
- Clamps*
- Pressure Relief Valves*
- Control Valves*
- Control Solenoids*
- Electronic Controls*
- Vacuum Control Diaphragms*
- Control Cables*
- Control Linkages*
- Purge Valves
- Vapor Hoses
- Liquid/Vapor Separator
- Carbon Canister
- Canister Mounting Brackets
- Carburetor Purge Port Connector

As related to the evaporative emission control system.

The exclusive remedy for breach of this limited warranty shall be, at the exclusive option of CFMOTO Powersports, Inc., repair or replacement of any defective materials, components or products.

THE REMEDIES SET FORTH IN THIS LIMITED WARRANTY ARE THE ONLY REMEDIES AVAILABLE TO ANY PERSON FOR BREACH OF THIS WARRANTY. CFMOTO POWERSPORTS, INC. SHALL HAVE NO LIABILITY TO ANY PERSON FOR INCIDENTAL, CONSEQUENTIAL OR SPECIAL DAMAGES OF ANY DESCRIPTION, WHETHER ARISING OUT OF EXPRESS OR IMPLIED WARRANTY OR ANY OTHER CONTRACT, NEGLIGENCE OR OTHER TORT OR OTHERWISE. THIS EXCLUSION OF CONSEQUENTIAL, INCIDENTAL, AND SPECIAL DAMAGES IS INDEPENDENT FROM AND SHALL SURVIVE ANY FINDING THAT THE EXCLUSIVE REMEDY FAILED OF ITS ESSENTIAL PURPOSE.

CFMOTO LIMITED WARRANTY FOR USA

ALL IMPLIED WARRANTIES (INCLUDING BUT NOT LIMITED TO ANY IMPLIED WARRANTIES OF MERCHANTABILITY AND FITNESS FOR A PARTICULAR PURPOSE) ARE LIMITED IN DURATION TO THE WARRANTY PERIOD DESCRIBED HEREIN. CFMOTO POWERSPORTS, INC. DISCLAIMS ALL EXPRESS WARRANTIES NOT STATED IN THIS WARRANTY.

Some states do not allow limitations on how long an implied warranty lasts, so the above limitation may not apply if it is inconsistent with the controlling state law. This limited warranty excludes failures not caused by a defect in material or workmanship. This limited warranty does not cover damage due to accidents, abuse or improper handling, maintenance or use. This limited warranty also does not cover any engine that has been structurally altered, or when the vehicle has been used in racing competition. This limited warranty also does not cover physical damage, corrosion, or defects caused by fire, explosions or other similar causes beyond the control of CFMOTO Powersports, Inc. Owners are responsible for performing the scheduled maintenance identified in the owner's manual. CFMOTO Powersports, Inc. may deny warranty claims for failures that have been caused by the owner's or operator's improper maintenance or use, by accidents for which CFMOTO Powersports, Inc. has no responsibility, or by acts of God. Any qualified repair shop or person may maintain, replace, or repair the emission control devices or systems on your vehicle. CFMOTO Powersports, Inc. recommends that you contact an authorized CFMOTO Powersports, Inc. dealer to perform any service that may be necessary for your vehicle. CFMOTO Powersports, Inc. also recommends that you use only genuine CFMOTO Powersports, Inc. parts. It is a potential violation of the Clean Air Act if a part supplied by an aftermarket parts manufacturer reduces the effectiveness of the vehicle's emission controls. Tampering with emission controls is prohibited by federal law. If you have any questions regarding your warranty rights and responsibilities, please contact CFMOTO Powersports, Inc. at 888-823-6686.

CFMOTO LIMITED WARRANTY FOR USA

Noise Control System and Tampering

Warranty time period: 1,865 miles (3000 km)

Federal law prohibits the following acts or causing thereof:

- (1) The removal or rendering inoperative by any person other than for purposes of maintenance, repair, or replacement, of any device or element of design incorporated into any new vehicle for the purpose of noise control prior to its sale or delivery to the ultimate purchaser or while it is in use or;
- (2) The use of the vehicle after such device or element of design has been removed or rendered inoperative by any person.

AMONG THOSE ACTS PRESUMED TO CONSTITUTE TAMPERING ARE THE ACTS LISTED BELOW:
These acts include tampering with the following systems; i.e., modification, removal, etc.

Exhaust system

- Muffler
- Exhaust
- Silencer

Intake system

- Air cleaner case
- Air cleaner element
- Intake duct

CFMOTO LIMITED WARRANTY FOR USA

Change of Ownership

If you sell your vehicle, any valid remainder of the warranty can be transferred to the new owner. Please record the details of the exchange below and inform an authorized CFMOTO dealer:

| Change of Ownership | Original Purchaser | 2 nd Owner | 3 rd Owner |
|------------------------|-----------------------|-----------------------|-----------------------|
| Owner Name | | | |
| Address | | | |
| City | | | |
| State / Zip Code | | | |
| Telephone | | | |
| E-mail | | | |
| Date of Purchase | | | |
| Odometer Reading | | | |
| New Owner Signature | | | |

NOTE:

If the details contained in the Change of Ownership form do not include the required details or are inaccurate, CFMOTO reserves the right to investigate the actual ownership of the product, the service history, and possibly refuse the application for warranty transfer if the requirements have not been fulfilled.

Telematics Box

The telematics box, or T-BOX, is an optional component in select markets. Upon purchase of a CFMOTO vehicle, check with your dealer to determine if your vehicle is equipped with a T-BOX.

The T-Box is an intelligent vehicle terminal that builds a communication bridge between owners and vehicles through the CFMOTO RIDE APP installed on a mobile device. The CFMOTO RIDE APP is available for download from the Apple App Store for iPhone or Google Play for Android.



Scan the QR code to download
CFMOTO RIDE APP



TYPE I



CFMOTO

TYPE II

MANUFACTURER:**ZHEJIANG CFMOTO POWER CO., LTD.**

Add: NO.116, Wuzhou Road, Yuhang Economic Development Zone, Hangzhou 311100, Zhejiang Province, China

Tel: 86-571-86258863 Fax: +86-571-89265788

E-mail: service@cfmoto.com.cn <http://global.cfmoto.com>**DISTRIBUTED BY:****CFMOTO POWERSPORTS INC.**

3555 Holly Lane N. Suite #30, Plymouth MN, 55447, USA

Toll free: (888) 8-CFMOTO (823-6686)

Tel: (1) 763-398-2690 Fax: (1) 763-398-2695

www.cfmotousa.com**DISTRIBUTED BY****CANADA MOTOR IMPORT INC.**

24 rue Industrielle, Saint-Benoît Labre, Québec, Canada, G0M 1P0

Tel: 418-227-2077

www.cfmoto.ca