

# CFORCE 1000

OVERLAND  
FEATURES



CF1000AU  
CF1000ATR  
CF1000AU-F

OWNER'S MANUAL

READ THIS MANUAL CAREFULLY

It contains important safety information

This ROV should not be ridden by anyone under 16  
years of age. Passenger under 12 are prohibited.

# TABLE OF CONTENTS

## Foreword

Welcome .....	3
Warranty Coverage .....	3

## CFORCE 1000 Overland ATV Features

Front Bash Plate .....	7
Bumper Assy .....	8
Windshield & Handguard .....	9
Rear Cargo Box Assy (2-Case version) .....	10
Rear Cargo Box Assy (3-Case version) .....	13
CF Connect Clamps .....	18
Front LED Flood Lamps .....	19
HDPE Skid Plate Protection .....	20
CST Clincher Off-road Tire & Beadlock Wheels.....	21

# **Foreword**

## **Welcome**

Thank you for purchasing a CFMOTO vehicle, and welcome to our world-wide family of CFMOTO enthusiasts. Be sure to visit us online at [www.cfmoto.com](http://www.cfmoto.com) for the latest news, new product introductions, upcoming events, and more.

This manual outlines the features and equipment included with purchase of a CFORCE Overland ATV. For safe and enjoyable operation of your vehicle, be sure to read and understand the instructions and recommendations in this manual.

This manual contains instructions for operation and care of the equipment specific to the CFORCE Overland ATV. Be sure to return to your dealership for all of your service needs during, and after, the warranty period. Your CFMOTO dealer knows your vehicle best and is interested in your total satisfaction.

Due to constant improvements in the design, quality, or configuration of production components, some minor discrepancies may result between the actual vehicle and the information presented in this publication. CFMOTO reserves the right to change product features, specifications and components without notice or incurring obligation to the purchaser. Depictions and/or procedures within are intended for reference use only.

## **Warranty Coverage**

For warranty information, CFORCE Overland features are covered by the factory vehicle warranty terms and conditions as provided in the vehicle owner's manual

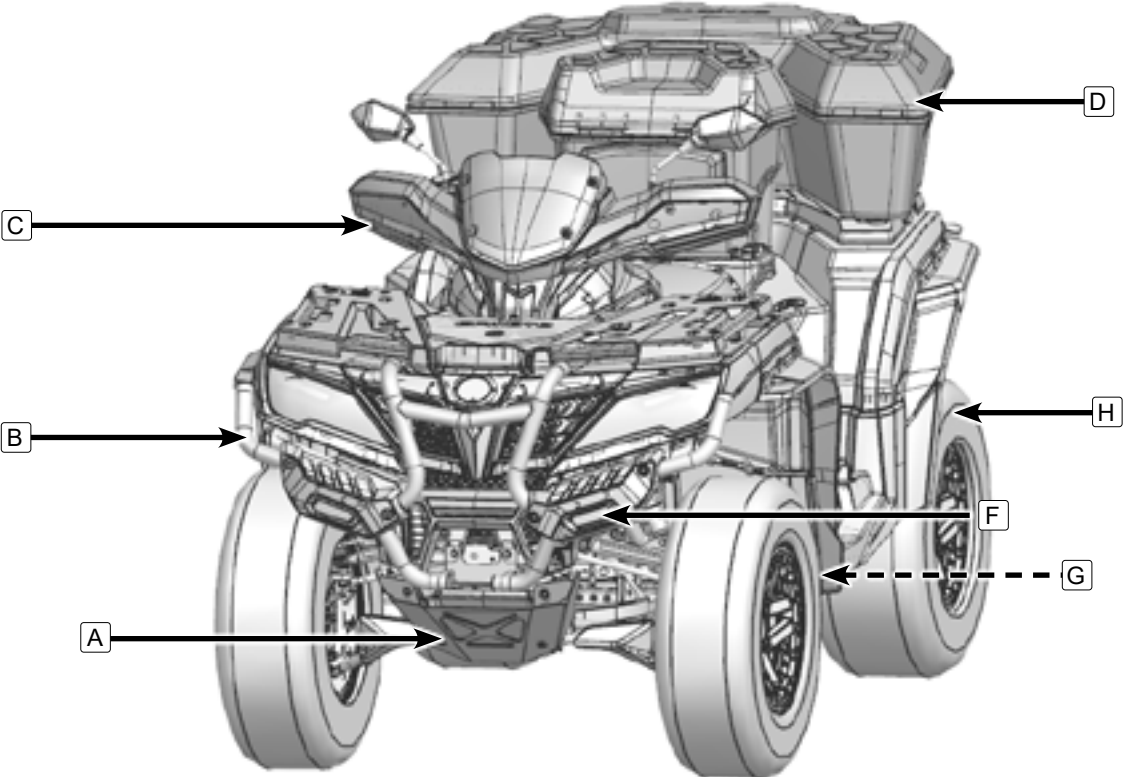
## **CFORCE 1000 OVERLAND FEATURES**

### **CFORCE 1000 Overland ATV Features**

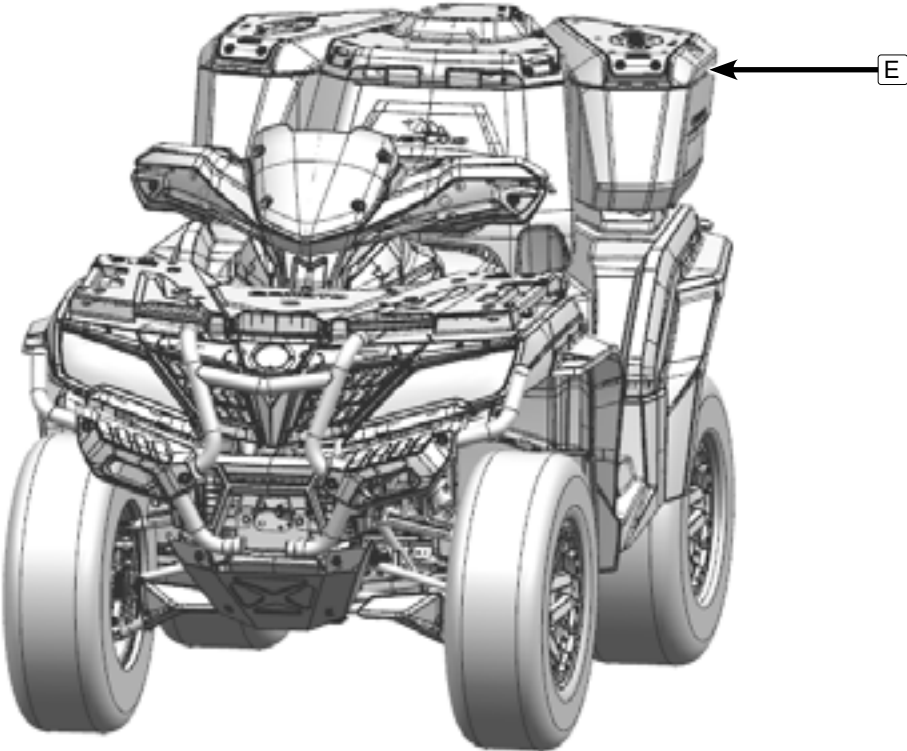
CFORCE 1000 Overland ATVs are outfitted with the following features as standard equipment:

- A** - Front Bash Plate
- B** - Bumper Assy
- C** - Windshield / Handguard Assembly
- D** - 146 Liter Rear Cargo Box Assy (2-Case version)
- E** - 166 Liter Rear Cargo Box Assy (3-Case version)
- F** - LED Front Flood Lamps
- G** - HDPE Skid Plate Protection
- H** - CST Clincher Off-road Tire & Beadlock Rims

# CFORCE 1000 OVERLAND FEATURES



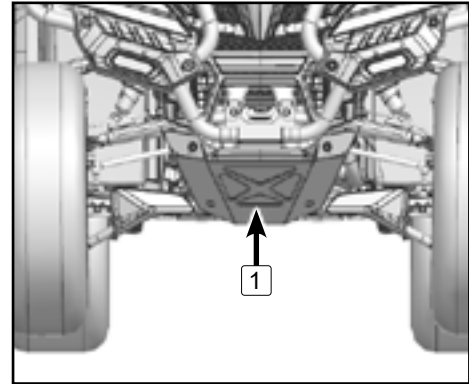
# CFORCE 1000 OVERLAND FEATURES



## CFORCE 1000 OVERLAND FEATURES

### Front Bash Plate

High strength aluminum front bash plate offers impact protection for vehicle.



## CFORCE 1000 OVERLAND FEATURES

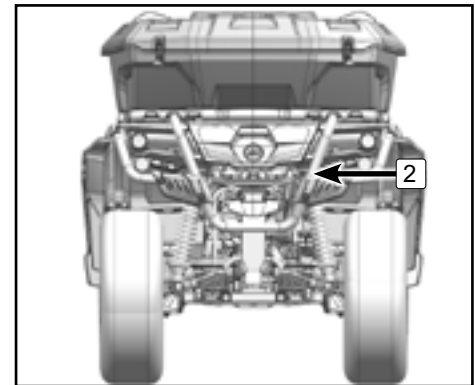
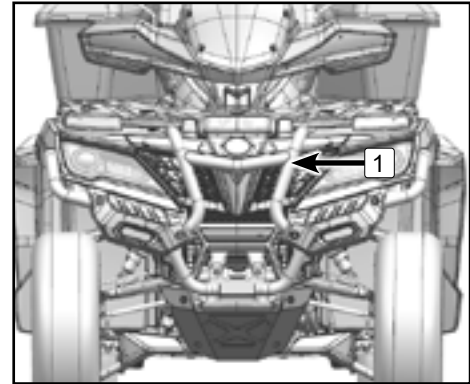
### Bumper Assy

Front and rear bumpers protect the vehicle body.

**NOTE:**

This feature is only applicable to models from 2021 models and newer models.

Models built prior to 2021 will require a new front rack support.

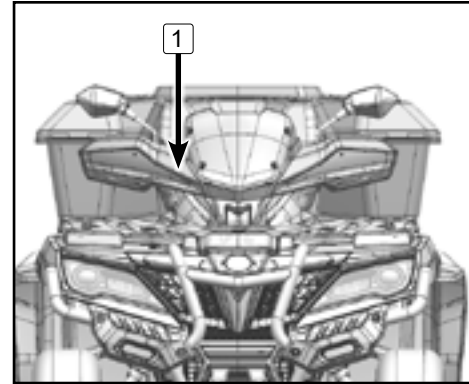




## CFORCE 1000 OVERLAND FEATURES

### Windshield & Handguard

Windshield and hand protector are designed to be one integrated component for fast removal and assembly.



## CFORCE 1000 OVERLAND FEATURES

### Rear Cargo Box Assy (2-Case version)

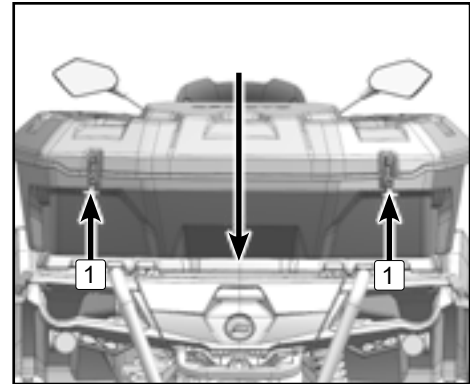
#### Rear Cargo Box

The rear cargo box can be easily installed and removed by CF connect clamps. Cargo box capacity is 105 Liters.

#### Assembly:

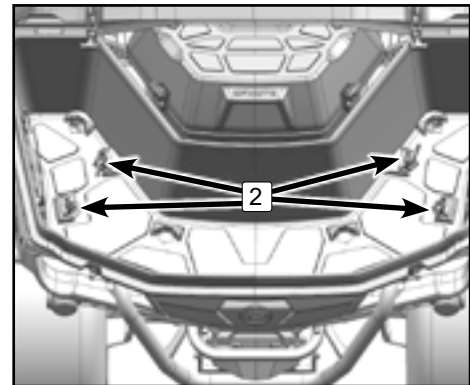
Place the rear cargo box on the rear rack cover.

Pull the rubber buckles **1** and open the cargo box.



Mount CF connect clamps **2** inside the cargo box as shown.

Turn CF connect clamps **2** to an open state, insert in place then lock them.



## CFORCE 1000 OVERLAND FEATURES

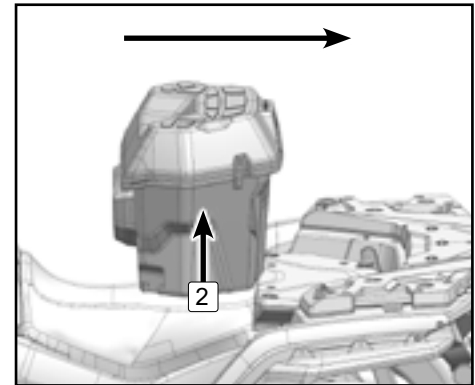
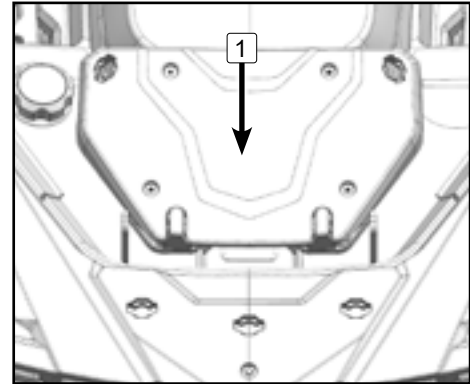
### Center Cargo Box

Center cargo box can be easily installed and removed by CF connect clamps. Cargo box capacity is 41 Liters.

### Assembly:

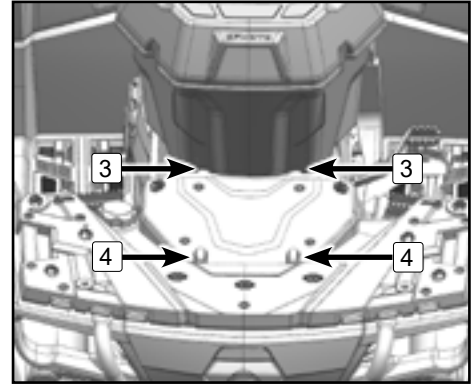
Mount the bottom plate<sup>1</sup>.

Mount the center cargo box<sup>2</sup> in the direction as shown.



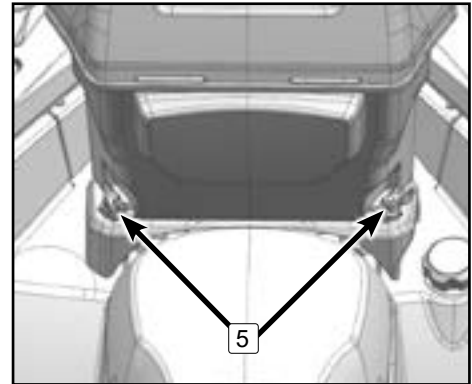
## CFORCE 1000 OVERLAND FEATURES

Align the rabbet joints **3** into the slots **4**.



Mount CF connect clamps **5** as shown.

Turn CF connect clamps **5** to an open state, insert in place, then lock them.



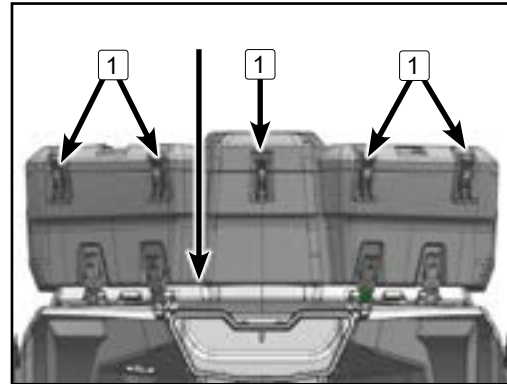
## CFORCE 1000 OVERLAND FEATURES

### Rear Cargo Box Assy (3-Case version)

The rear cargo box can be easily installed and removed by CF connect clamps. Total cargo box capacity is 166 Liters.

#### Open the Cargo box:

Pull out the rubber buckles and handles **1** , then open the cargo box.



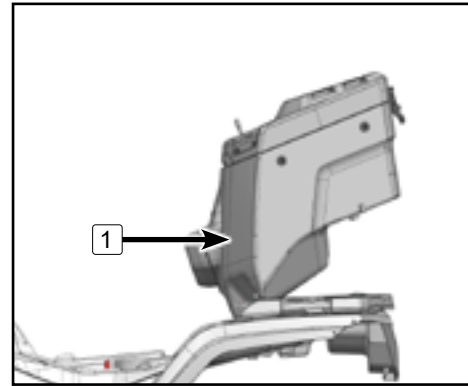
## CFORCE 1000 OVERLAND FEATURES

### Center Cargo Box

Center cargo box can be easily installed and removed by CF connect clamps. Center cargo box capacity is 90 Liters.

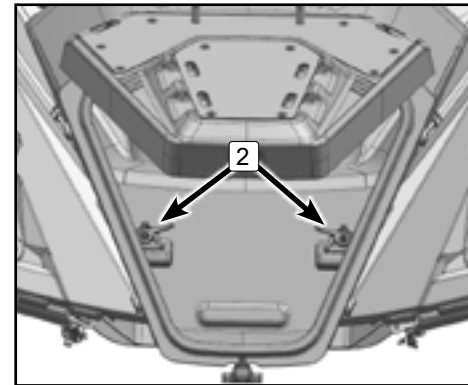
### Assembly:

Mount the center cargo box **1** in the direction as shown.



Open the center cargo box.

Turn CF connect clamps **2** to be open state, then insert CF connect clamps into the position shown as the picture and lock them.



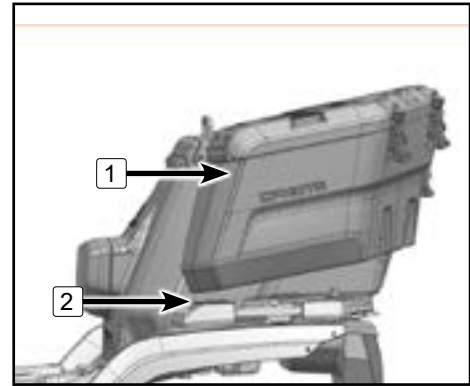
## CFORCE 1000 OVERLAND FEATURES

### Side Cargo Boxes

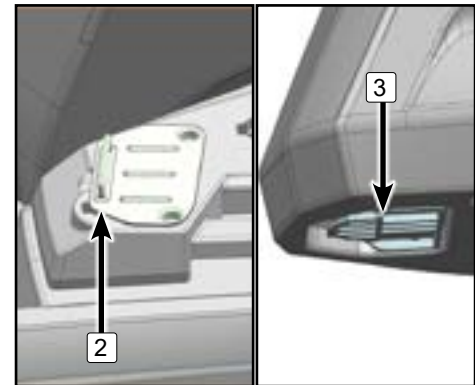
Center cargo box can be easily installed and removed by CF connect clamps. Side cargo box capacity is 38 Liters each.

### Assembly:

Push the side cargo box **1** into the front mounting bracket **2** in the direction as shown.

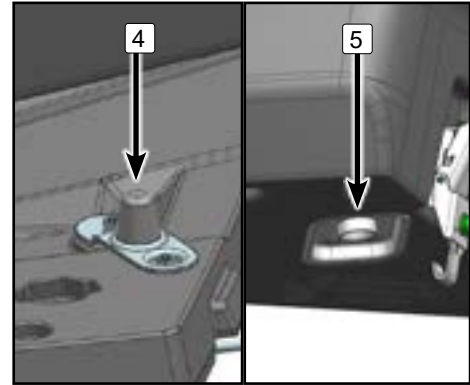


When mounting the side cargo box, align the mounting base **3** with the mounting bracket **2**.

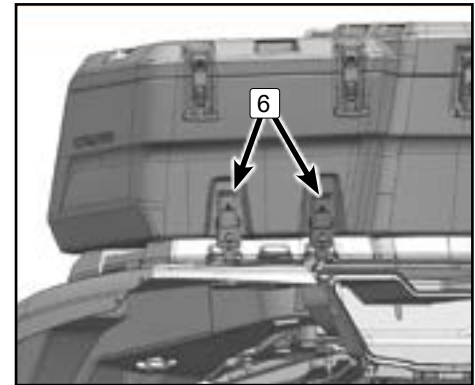


## CFORCE 1000 OVERLAND FEATURES

Release the rear of the side cargo box, then the mounting base **4** locks with the rear bracket **5**.



Buckle the side cargo box lock hook **6**.

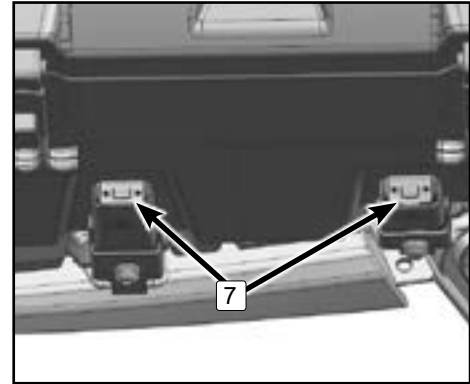




## CFORCE 1000 OVERLAND FEATURES

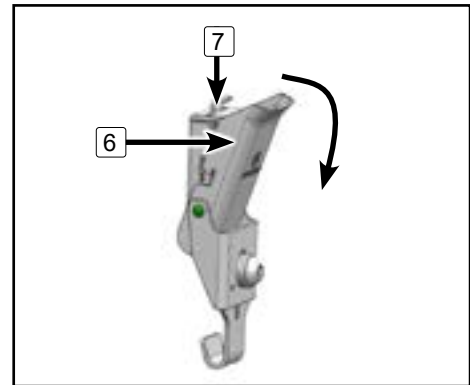
### Side Cargo Box Disassembly

Press the lock button **7** to release the lock.



Press the lock button **7** to release the lock.

Pull out the lock hook **6** to open the lock.



## CFORCE 1000 OVERLAND FEATURES

### CF Connect Clamps

Lock state for CF connect clamps.





Open state for CF connect clamps.



## CFORCE 1000 OVERLAND FEATURES

### Front LED Flood Lamps

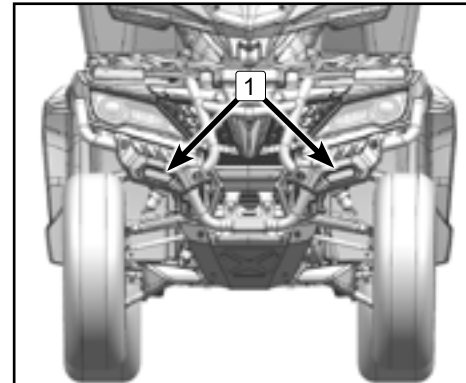
Front Led flood lamps switch is located on the left handbar bracket. LED lights are located on the front bumper.

	When switch is on this position, LED lamps turn on.
	When switch is on this position, LED lamps turn off.

#### **NOTE:**

This feature is only applicable to 2021 models and newer models. Main cables on ATVs built prior to 2021 are not compatible.

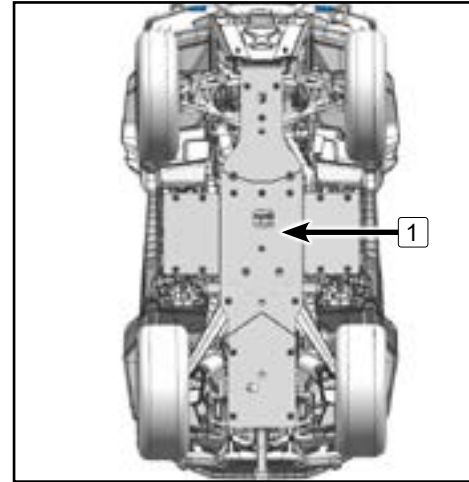
LED flood lamps- 1



## CFORCE 1000 OVERLAND FEATURES

### HDPE Skid Plate Protection

A full HDPE skid plate system is installed to protect the bottom of the ATV from rocks, sticks, and other objects.



## CFORCE 1000 OVERLAND FEATURES

### CST Clincher Off-road Tire & Beadlock Wheels

Specification: Front - 27x9.00-R14 6.5 psi (45KPa)

Rear - 27x11.00-R14 6.5 psi (45KPa)

#### CAUTION

Tire pressure is important for vehicle handling and stability. Insufficient tire pressure may lead to tire deflating and rotating on the rim. Excess pressure may lead to tire burst. Always follow the recommended tire pressure. Never set tire pressure below minimum. It could cause the tire to dislodge from the rim.

#### CAUTION

Test tire pressures during cold tire condition. Tire pressure is affected by the variance of temperature and altitude. Test tire pressures whenever any of these conditions have changed.

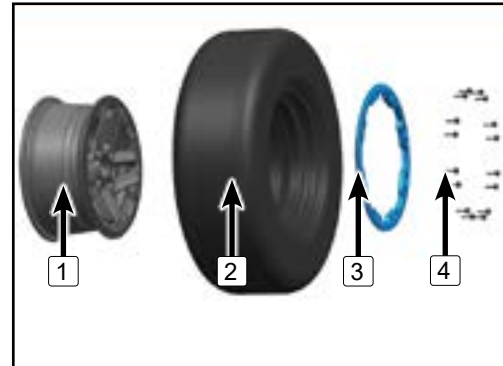
#### Tire Assembly:

- 1 - Rim
- 2 - Tire
- 3 - Beadlock ring
- 4 - Beadlock ring bolts - M6×25

#### Tire Removal

Support the suspension under the tire to be removed. Deflate the tire. Remove the beadlock ring bolts, beadlock ring and tire.

**NOTE:** Wheel removal is not required.



## CFORCE 1000 OVERLAND FEATURES

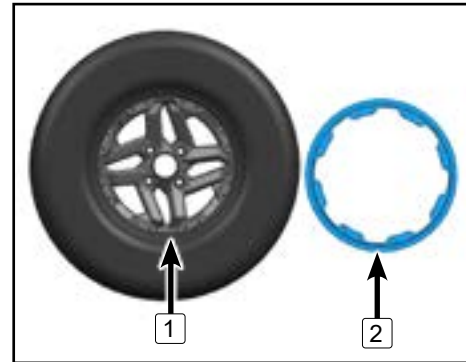
### Tire Installation

Apply a thin layer of lubricant onto the inner beads of the tire and wheel opposite of the beadlock inner ring.

Seat the tire outer bead in the shoulder of beadlock inner ring. Ensure the beadlock inner ring is positioned in the center of tire.

Align tire light point ( the yellow point on tire) with the inflating valve.

- 1 - Tire outer bead
- 2 - Beadlock inner ring shoulder



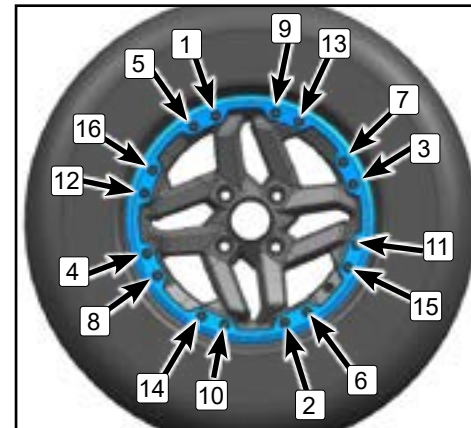
### Beadlock Clamp Ring Installation

Install all the beadlock ring bolts in a criss-cross sequence, To avoid mis-threading, follow the number sequence as shown and screw by hand.

To ensure even pressure on the beadlock clamp ring, pretighten bolts a few turns at a time.

<b>NOTE:</b>
Blue thread locker on the bolt threads is recommended.

Beadlock ring bolts (first torque): **26 in-lb (3N·m ± 1N·m)**



## CFORCE 1000 OVERLAND FEATURES

Check to ensure the tire is in the center of wheel. Reposition it as necessary.

Tighten the bolts according to the second torque, following the same sequence.

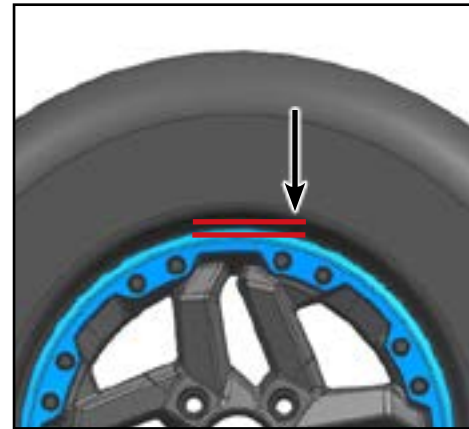
Beadlock ring bolts (Second torque): **70 in-lb (8N·m ±1N·m)**

The beadlock clamp ring should be in contact with the beadlock inner ring. The beadlock clamp ring can flex slightly to match the tire bead.

Verify the gap between tire and beadlock clamp ring, it should be equal all around the ring.

If the gap is not acceptable:

- Loosen all the bolts.
- Check the tire position on wheel, reposition it if necessary.
- Restart the pretightening following the indicated sequence.
- Finally torque the beadlock ring bolts to the first and second torque values following the indicated sequence.



## CFORCE 1000 OVERLAND FEATURES

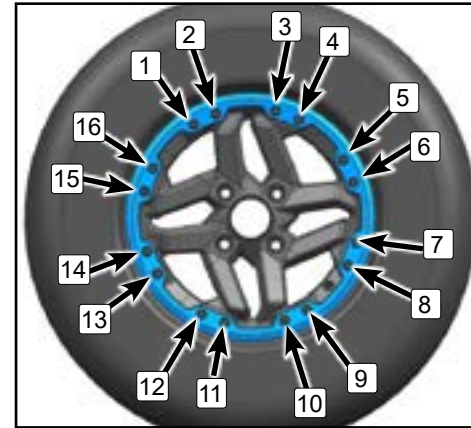
Beadlock ring bolts (Final torque): **106 in-lb (12N·m ± 1N·m)**

Tighten the beadlock ring bolts in a clockwise direction as shown.

Make sure the tire remains centered in place before inflating with air.

Inflate the tire to seat the inner beads on the wheel.

 <b>CAUTION</b>
Do not exceed the recommended maximum tire pressure when seating beads.







# ZHEJIANG CFMOTO POWER CO., LTD.

No.116,Wuzhou Road,Yuhang Economic Development  
Zone, Hangzhou 311100,Zhejiang Province,China

Tel: 86-571-86258863

Fax: +86-571-89265788

E-mail: [service@cfmoto.com.cn](mailto:service@cfmoto.com.cn)

<http://global.cfmoto.com>